



SPRAT

THE JOURNAL OF THE G QRP CLUB

DEVOTED TO LOW POWER COMMUNICATION

Index

© G-QRP-CLUB

ISSUES 1 to 119

Topics:

- ◆ ATU's and Accessories.
- ◆ Antennas
- ◆ Accessories.
- ◆ Reviews
- ◆ TenTec
- ◆ General Modifications
- ◆ Heathkit
- ◆ Misc. Topics
- ◆ Morse Keys mainly Electronic
- ◆ Photocall
- ◆ Receiver Topics
- ◆ Transmitter Topics
- ◆ Transceiver Topics
- ◆ SPRAT Errata Database

Author: Tony G4WIF


❗ - Indicates a correction in a later SPRAT

ATU's and Accessories

Title	Author	Callsign	Sprat	Page
ATU UNIT FOR THE HW7	KEITH SIMPSON	G4DQF	2	12
THE ROCK -O-NATOR	C.ROCKEY	W9SCH	3	16
TAKING THE MISTERY OUT OF ATU'S	GUS TAYLOR	G8PG	6	9
SIMPLE ATU FOR QRP TRANSMITTERS	HA-JO BRANDT	DJ1ZB	7	4
ATU	JOHN WHITE	G4BCY	10	8
QRP SWR INDICATOR	GEORGE DOBBS	G3RJV	12	11
THREE WAY ATU❗	RON HOWE	G3PLB	12	6
SUGGESTED ATU	DAVE DABINETT	G4DEP	18	14
WATTMETER	GEORGE BURT	GM3OXX	22	13
QRP Z MATCH ATU	GEORGE BURT	GM3OXX	25	14
NO COST ATU	TONY HAAS	G4LDY	28	5
BREN TX ATU	COLIN TURNER	G3VTT	32	6
TUNED BULAN ATU	ALAN CHESTER	G3CCB	33	3
SENSITIVE MICROWATT METER	WES HEYWARD	W7ZOI	38	3
SWITCHED ALL BANDS QRP Z MATCH	FRANK LEE	G3YCC	38	5
BENELUX QRP CLUB ATU			40	9
ANTENNA CHANGEOVER	GUNTER DENGLER	DL1HS	41	17
ATU FOR THE FOXX TRANSEIVER	DONALD YOUNGER	W2JEK	45	8
3 WATTS OUTPUT METER	D.PLUMBRIDGE	G3KMG	47	13
QRP POWER METER FOR THE HF BANDS	IAN BRAITHWAITE	G4COL	48	18
WELZ POWER METER			50	5
A RESISTIVE BRIDGE	BYRON C WEAVER	WU2J	51	23
50 MHZ REFLECTOMETER/ATU	BRIAN	G3SYN	54	27
ONER AERIAL CHANGEOVER UNIT	IAN KEYSER	G3ROO	56	3
A RELATIVE S METER AND POWER METER	BILL BARTLETT	G4KIH	57	8
SENSITIVE FIELD STRENGTH METER		G4VSO	58	5
A BI-DIRECTIONAL INLINE WATTMETER	DAVID STOCKTON	G4ZNQ	61	12
A BATTERY AND SWR INDICATOR WITH A DUO-L	MATHEUS VOLKERT	DF4SQ	63	26
A QRP DUMMY LOAD IN SMD	BILL MOONEY	G3VZU	65	12
A.T.U. FOR NOVICE	DAVE GOSLING	GØNEZ	68	33
A REAL QRPp VSWR METER	HA_JO BRANDT	DJ1ZB	69	7
FURTHER NOTES ON THE QRPp VSWR METER	HA-JO BRANDT	DJ1ZB	71	15
NO COST ATU MKII	GUSTAV MICHALIK	DL6FBQ	71	10
THE SUPER TEE ANTENNA TUNER	D.A. MICHAEL	W3TS	72	8
HF SINGLE COIL 'Z' MATCH ATU	PETER LINSLEY	G3PDL	76	17
YALATU (YET ANOTHER L ATU)	PETER BRODRIBB		76	21
A ONE KNOB ATU & SWR BRIDGE	NIGEL GOLDSTRAW	GØDTQ	77	10
ALTERNATIVE CORES FOR THE STOCKTON WATTMETER	MIKE CZUHAJEWSKI	WA8MCQ	77	11
A QRP ANTENNA TUNER	ERNEST M HELTON	W8MVN	78	17
THE G4RGN "ZZ" A.T.U.	DOUG GIBSON	G4RGN	78	9
ANOTHER Z MATCH	ROBERT VAN DER ZAAL	PA3BHK	86	14
AN IMPROVED ROCK-O-NATOR ATU	CHAS BRYANT	GW3SB	88	15
LIPSTICK NO COST ATU	ALAN GRAY	G4UEC	89	8
A VERSATILE PEAK OUTPUT POWER UNIT	A.W.McNEIL	G3FCK	90	8
THE ONER STOCKTON WATTMETER	DICK PASCOE	G0BPS	91	18
SIMPLE LED SWR BRIDGE	JOHN YOUNG	G0WQR	93	15
A CLASSIC Z MATCH ATU	GEORGE DOBBS	G3RJV	94	14
IMPROVED MINI-ATU	HA-JO BRANDT	DJ1ZB	94	25

A BALUN FOR THE LDG AUTOMATIC TUNER	P.F.LINSEY	G3PDL	96	19
A KISS HF OSCILLATOR FOR TEST APPLICATIONS	A.W.McNEIL	G3FCK	96	20
A QUIET TUNER [BASED ON THE STOCKTON BRIDGE]	TONY LYMER	GM0DHD	97	12
IMPROVED MINI-ATU	HA-JO BRANDT	DJ1ZB	97	11
LDG TUNER BALUN UPDATE	FRANK BRUMBAUGH	W4LJD	97	7
A HIGHLY SENSITIVE ABSORPTION WAVE METER	AAA TECHNICAL STAFF		98	30
THE LARKHALL - 3.5 TO 50 MHZ ANTENNA COUPLER	TOM SORBIE	GM3MXN	99	30
A COMPACT DIRECTIONAL COUPLER FOR THE QUIET TUNER	TONY LYMER	GM0DHD	100	15
A PRACTICAL Z-MATCH ATU	BEAR HORN	LA4KG	102	18
BALANCED ATU MOD	TOM SORBIE	GM3MXN	103	26
GETTING TO GRIPS WITH YOUR FIRST EVER LONG WIRE	AAA TECHNICAL STAFF		104	28
ATU COILS "TO SHORT OR NOT TO SHORT"?	AAA TECHNICAL STAFF		104	30
LOW PROFILE 160M ANTENNA	TERRY YOUNG	K4KJP	106	27
5/8 th GP ANTENNAS FOR 20,15,10 & 6 METRES	STEVE ORTMAYER	G4RAW	106	33
HOME BREW LADDERLINE	SEAB LYON	AA1MY	107	7
THE TRUE STORY OF LIMPY ARNOLD	GEERT	G/PE3GRT/MM	107	11
FUN ON 'LONG WAVE' - BUT IS IT QRP?	STEVE RAWLINGS	GW4ALG	107	18
THE GIBRALTAR SPECIAL	G. SMITH	ZB2GS	107	28
AN EFFECTIVE L-TYPE ATU ⓘ	JESPER FOGH BANG	OZ1XB	108	18
TOP BAND ANTENNA WITH REMOTE ATU	JESPER FOGH BANG	OZ1XB	109	17
ANTENNA CHANGE OVER CIRCUIT	ALAN UPTON	G3UZU	110	19
MULTIBAND LOFT ANTENNA FOR 40/20/15/17/10	STEVE NICHOLS	G0KYA	111	9
SOME TOP BAND IDEAS	PAT SMITH	GW0VMR	111	11
20M QRP ANTENNA TUNER UNIT & 20M MINI LOADED DIPOLE	GUIDO	IK2BCP	111	15
THE RE-PETE TUNER	FRED BONAVIDA	K5QLF	111	26
THE CARLTON PORTABLE ANTENNA MATCHING UNIT	STEVE RAWLINGS	GW4ALG	114	3
DIGITAL SWR DISPLAY FOR POWER METERS	ALAN ROWE	M0PUB	114	9
A TUNABLE BANDPASS FILTER FOR ALL BANDS	TASA SINISA	YU1LM	115	16

<h2>Accessories</h2>				
Title	Author	Callsign	Sprat	Page
LOW POWER SWR INDICATOR	GEORGE DOBBS	G3RJV	1	7
PRODUCT DETECTOR FOR QRP USE ⓘ	EDGAR JANES	G2FWA	1	3
VFO NETTING CIRCUIT	GORDON BENNET	G3DNF	1	6
CMOS FILTER	GERRY FARRANCE	G3KPT	5	13
POWER PACK FOR QRP WORK	GEORGE BURT	GM3OXX	6	5
ACTIVE FILTER	GEORGE BURT	GM3OXX	10	3
CHEAP CW FILTER	DES VANCE	GI3XZM	10	17
QRP POWER PACK	DUG WOODFORD	G8IB	11	5
PIN DIODE ATTENUATOR	IAN KEYSER	G3ROO	12	13
PORTATEST FOR /P WORK	GUS TAYLOR	G8PG	12	13
SIMPLE SPEECH PROCESSOR	M.SALMON	G2CKM	12	6
SIMPLE TRANSISTOR TESTER	L.IVIN	G5IC	14	3
MORE AUDIO FILTERS	DES VANCE	GI3XZM	15	5
MAX BOX - SURPLUS CRYSTAL CHECKER	MAC McNEIL	G3FCK	17	13
CRYSTAL CALIBRATOR	DAVE POWELL	G3ZXX	20	13
7 MHZ CRYSTAL BENDER	MIKE PRIOR	G3XMI	21	13
ODD FREQUANCY XTAL CALIBTATOR	COP MACDONALD	VE1BFL	21	7
ACTIVE AUDIO FILTER	HAROLD SMITH	G3IVF	23	15

GDO	IAN KEYSER	G3ROO	24	14
20m DX SKED KEEPER	DAVE SMITH	G4JIM	26	7
CRYSTAL AND FREQUENCY CHECKER	CHRIS WARWICK	G8DSO	29	10
HIGH PERFORMANCE CW FILTER	ED WETHERHOLD	W3NQN	32	3
HIGH IMPEDENCE DC VOLTMETER	BRIAN BOOTH	G3SYC	39	3
CW CRYSTAL FILTER	ADRIAN KING		45	3
PEAK READING RF PROBE	REG LYDDON	G4ETJ	46	7
HELPING HAND	WALTER FARRAR	G3ESP	48	22
ROCK'S TEST BOX 	C.ROCKEY	W9SCH	48	11
SIMPLE SQUEEZE KEYER	MATT VOLKERT	DF4SQ	48	8
HOOK ON SNIFFER	RONNIE MARSHALL	GM4JJG	51	5
A LINEAR SCALE CAPACITANCE METER	DOUG GIBSON	G4RGN	52	12
ANTENNA RF CURRENT TRANSFORMER	KEN MAXTED	GM4JMU	52	10
HF BANDS CONVERTER FILTER	IAN BRAITHWAITE	G4COL	52	7
PIN DIODE ATTENUATOR	BILL WRIGHT	G0FAH	52	8
SUPER PORTABLE KEYER PADDLE	BRUCE PRIOR	VE7CKF	52	13
TOP BAND CONVERTER	C.A. ROCKEY	W9SCH	52	23
UNIVERSAL SIDETONE MODIFICATION	WALT LEGAN	KA4KXX	52	15
REGENERATIVE AUDIO FILTER	DEREK MONDAY	G3HKD	53	9
THE ONER V.F.O.	IAN KEYSER	G3ROO	53	4
THE VFG SIDEKICK KEYER		G4VFG	53	10
A TEETER-TOOTER LO FOR DC TRANSCEIVERS	DOUG DEMAW	W1FB	54	19
AUTOMATIC T/R SWITCH	MIKE KING	G3MY	54	15
BFO OSCILLATOR USING A MECH/CERAM FILTER	JOHN BEECH	G8SEQ	54	26
ONE STACK C.W. FILTER	ED WETHERHOLD	W3NQN	54	20
100 KHZ CALIBRATOR	BRIAN GIBBS	G3MBN	55	13
AF & CLIPPER FOR THE 10 TEC ARGOSY II	BILL WRIGHT	G0FAH	55	14
SIMPLE SIDETONE	PAUL HARRISON	G4VAM	55	12
STANDARD CAPACITOR 7 ELEMENT L,P,FILTERS	ED WETHERHOLD	W3NQN	55	13
75 OHM ATTENUATOR FOR 50 OHM	GERALD STANCEY	G3MCK	56	8
A VERSATILE VXO	FRANK LEE	G3YCC	56	7
HOME BREW DOIDE MIXERS	ROBERT V D ZAL	PA3BHK	56	11
TOWARD A MORE LINEAR DIODE TUNING	GEORGE W. ALLEN	NIBEP	56	12
74HC4066, A NOVEL LOW COST MIXER		DJ1ZB	57	18
C.W. AUDIO FREQUENCY SHIFTER	Carter, Bob	G4VSO	57	14
CRYSTAL CALIBRATOR	C.D. HAWKINS	G0CEU	57	28
HI Z MIC ADAPTOR	MIKE MICHAELS	W3TS	57	18
A TTL LOGIC PROBE	KEN BUCK		58	6
C.W. FILTER	Brandt, Ha-Jo	DJ1ZB	58	7
G FILTERS	ROY LEWALLEN	W7EL	58	14
THE BEST AUDIO FREQUANCY 4 SW RECEPTION	GERD	DJ4SB	58	7
A POCKET BFO/CIO USING SMD			59	13
THE G5IC THRESHOLD GATE NOISE LIMITER	GUS TAYLOR	G8PG	59	14
THE ONE FOR ALL BATTERY	KEN CRAVEN	G4LKP	59	21
TWO TONE OSCILLATOR	IAN KEYSER	G3ROO	59	9
A 7TH ORDER LOW PASS FILTER	DAVID STOCKTON	GM4ZNX	62	14
UNIVERSAL PSU	MIKE KING	G3MY	62	9
A CHEAP VFO SOURCE FOLLOWER	RONNIE MARSHALL	GM4JJG	63	18
AUDIO PREAMP AND PASSIVE FILTER 4 NE602	STEF NIEWIADOMSKI		63	4
SIMPLE ONE-TOROID AF FILTER	JOHN T COLLINS	KN1H	63	11
THE DISCO DISPLAY	A.W. McNEIL	G3FCK	63	12
THE HUFF AND PUFF RE-VISITED	STEF MIEWIADOMSKI		63	20
AN OSC IND FOR REGENERATIVE RECEIVERS	RODNEY SEYMOUR	G1TNE	64	25
COIT AUDIO AMP	MIKE KING	G3MY	64	18
CRYSTAL CHECKER	MARTYN LINDARS		64	8
QSK IDEAS	BILL LEASK	G4CEO	64	16
SIMPLE ZENER TESTER	MARTYN LINDARS		64	19
WATCH IT-HUFF&PUFF REVISITED (PART 2)	BASTIAN EDELMAN	PA3FFZ	64	13
A LOW DRIFT, LOW DISTRIBUTION VFO	JOHN R HEY	G3TDZ	65	3

CW TRANSMITTER TESTER	STEF MIEWIADOMSKI		65	18
HUFF AND PUFF REVISITED (3)	BASTIAN EDELMAN	PA3FFZ	65	26
ROLLER COASTER TURNS INDICATOR	STEPHEN PUTMAN	N8ZR	65	11
A SIMPLE GDO COIL COUPLER	Marshall, Ronnie	GM4JJG	66	12
CW FILTER REVISITED	Edelman, Bastian	PA0FFZ	66	19
G4ERA AUDIO CW FILTER			66	26
NEAPOLITAN SMD VFO KIT	George DobbS	G3RJV	66	16
24 VOLT RELAYS ON 12 VOLTS	JOHN HALIBURTON	GM4AQO	68	24
G FILTERS A PRACTICAL LOOK	FRANK LEE	G3YCC	68	31
THE FREQUENCY ADAM	KEN RUIZ	G4SGF	68	8
A WIDE RANGE 80MTR VFO	HA-JO BRANDT	DJ1ZB	70	16
SIMPLE CW FILTER	PETER BRODRIBB	G3ONL	70	11
SIMPLE LINEAR PA FOR 160-10M	LEN DIXON	G3XXQ	70	7
A FET VOLTMETER	KEN BUCK		71	20
IMPROVED RF SNIFFER	RONNIE MARSHALL	GM4JJG	71	16
S METER DRIVER	DEREK MONEY	G3HKD	71	10
A SIMPLE RF DETECTOR	ANDY STAFFORD	G4VPM	72	13
INDUCTANCE METER	DOUGLAS GIBSON	G4RGN	72	6
WIDE RANGE VXOs for 80 40 20m and 10	ANGEL GERASIMOV	LZ1SM	72	26
A SIMPLE FREQUENCY COUNTER FOR DC RCVRs	GRAHAM ADCOCK	G4EUK	73	10
JAW-TYPE CURRENT PROBE	Ha-Jo BRANDT	DL1ZB	73	17
5 WATT LINEAR AMPS FOR THE WHITE ROSE	JOHN R. HEY	G3TDZ	74	4
A CHEAP OSCILLATOR IDEA	DERRICK PRICE	G3LYU	74	16
A PCB PAD CUTTER	ROY DEANE	G4FQQ	74	21
A SIMPLE CHANGEOVER SYSTEM FOR NOVICE USE	DAVID GOSLING	GØNEZ	74	10
A SIMPLE SOLDERING AID	PETER BRODRIBB	GØONL	74	19
Q-METER OR SIMPLE COIL MEASURING CIRCUIT	JAN-MARTIN NOEDING	LA8AK	74	16
SUPERIOR 7mhz CONVERTER FOR THE WHITE ROSE			74	3
THE PUFFER	WALTER FARRAR	G3ESP	74	12
A SIMPLE SPEECH PRE-AMP AND CLIPPER	ROD CRADDOCK	GW4SLK	75	25
A STABLE RELAY SWITCHED VFO	FRANK LEE	G3YCC	75	16
COIL WINDING AID	ROY SMITH	GØIWU	75	25
REDUCING ICOM RIGS TO QRP POWER	FRED BONAVIDA	W5QJM	75	24
SIMPLEST DIAL AND DRIVE	LEN	G3XXQ	75	19
SOLAR PANEL AND BATTERY MONITOR	JOHN PEARS	GØFSP	75	17
WHITE ROSE DIGITAL DISPLAY	JOHN R HEY	G3TDZ	75	3
A 10.7MHZ SSB GENERATOR	DEREK PEARSON	G3ZOM	76	24
A DSB GENERATOR USING THE NE602	GRAHAM ADCOCK	G4EUK	76	9
DUAL BAND XL MIXER FOR THE CHERITON TRANSCEIVER	GRAHAM ADCOCK	G4EUK	76	4
FREQUENCY COUNTER USING THE 7224 CHIP	JOHNNY APELL	SM7UCZ	76	12
THE TOKY VFO	KEN BUCK		76	15
UB40 JIG - POORMAN'S SOLDERING AID	PETER McBEATH		76	20
40m FIXED CAPACITOR XO SWITCHING	MAC McNEIL	G3FCK	77	16
7 BAND MIXER VFO	IAN BROWN	G3TLH	77	3
QUICK DUMMY LOAD	ALBERT HEYES	G3ZHE	77	25
SIMPLE AUDIO COMPRESSOR	RICHARD STOYLE		77	17
SIMPLE HEADPHONE ADAPTOR FOR USE OF 'HI FI' PHONES	DAVID GOSLING	GØNEZ	77	34
THE TOM PSU	KEN RUIZ	G4SGF	77	7
UNIVERSAL SEMI-QSK & SIDETONE BOARD	JOHN EVERINGHAM	G4TRN	77	19
VERSATILE AMPLIFIER	FRANK LEE	G3YCC	77	17
VLFB SEQUENCE CW GENERATOR	JOSÉ DE TORO	F1NTT	77	15
A 50 MHZ EXCITER	PETER BRODRIBB	G3ONL	78	7
A NO COST AUTOMATIC ATTENUATOR FOR TS120V	DAVE EVANS	G4YND	78	10
A SIMPLE CRYSTAL TESTER (100KHZ - 20MHZ)	JOHNNY APELL	SM7UCZ	78	9
ALTERNATIVE CORES FOR THE STOCKTON WATTMETER	MIKE CZUHAJEWSKI	WA8MCQ	78	10
ANALOGUE SOLID STATE SPEECH RECORDER	PAUL LOVELL	G3YMP	78	3

AUDIO PREAMP AND AUTOMATIC LEVEL CONTROL	DICK PATTINSON	VE7GC	78	15
CERAMIC RESONATOR VARIABLE OSCILLATOR	REV SUTER	VK6SA	78	16
SIMPLIFIED TEETER-TOOTER VXO FOR RIT	MIKE CZUHAJEWSKI	WA8MCQ	78	11
A SIMPLE AUDIO "S METER"	MARCO ELEUTERI	IKØVSV	79	22
ANTI HISS IDEAS FOR LM386 AUDIO AMPLIFIERS	DAVE REDFERN	N4ELM	79	23
CONTROLLED CHARGE SYSTEM FOR NICAD CELLS	RUDI WOLF	DL2RM	79	22
A SIMPLE HELIPOT SUBSTITUTE	JOHN YOUNG	G7BCJ	80	19
INTERNAL EXTERNAL PTT SOCKET	JOHN BEECH	G8SEQ/VK2XY	80	37
TRANSMIT RECEIVE CHANGEOVER SWITCH	JOHN BEECH	G8SEQ/VK2XYD	80	37
KK7B SPRAT TECH CARTOON #1 LO PHASE SHIFT NETWORK	RICK CAMPBELL	KK7B	81	20
THE B.L.T. LINEAR AMPLIFIER	BYRON C WEAVER	WU2J	81	18
W3NQN SEVEN ELEMENT LOWPASS FILTER			81	35
A 5 WATT AMPLIFIER FOR THE EPIPHYTE	DERRY SPITTLE	VE7QK	82	18
A VFO FOR THE EPIPHYTE	DOUG HENDRICKS	K16DS	82	21
QRP QSK CIRCUIT	JOHN BEECH	G8SEQ	82	37
A DIGITAL DISPLAY FOR THE EPIPHYTE	DERRY SPITTLE	VE7QK	83	22
A LOW BUDGET HIGH PERFORMANCE CW AUDIO FILTER	ROELOF BAKKER	PAØRDT	83	20
A POWER ATTENUATOR FOR HF USE	DAVE PENNY	G3PEN	83	11
LAKE AF2 AUDIO FILTER	FRANK GREENOUGH	G4EHY	83	18
SIMPLE MODS FOR THE KANGA FREQUENCY COUNTER	FRANK GREENOUGH	G4EHY	83	18
TOROIDS FOR THE GM4JJG RF SNIFFER	C W HARLOW		83	18
A NICAD CHARGER FROM THE CAR BATTERY	NORMAN BONNETT	DL6NEE	84	15
AN RIT CIRCUIT	TONY LANGTON	GM4HTU	84	3
BITE FOR THE QRP SPIRIT	GUIDO GIANNI	HB9BQB	84	16
BNC TO PL259 ADAPTER	ROBERT VAN ZAAL	PA3BHK	84	14
CLASS A BROADBAND AMPLIFIER	MARCO ELEUTERI	IKØVSV	84	26
FLEXIBLE IMPEDENCE MATCHING FOR W3NQN AUDIO FILTERS	DAVE PENNY	G3PEN	84	25
HIGH EFFICIENCY REVERSE POLARITY PROTECTOR	LAURENCE FLETCHER	G4SXH	84	9
DIRECT CONVERSION SIDETONE	DEREK MONEY	G3HKD	85	17
ELECTRET MICROPHONE AND VOGAD UNIT	WALTER FARRAR	G3ESP	85	16
HARMONIC OSCILLATORS WITHOUT INDUCTORS	ANGEL GERASIMOV	LZ1SM	85	10
HF PRESELECTOR	STEVE ORTMAYER	G4RAW	85	36
RF DECIBEL METER	PHIL STEVENS	G3SES	85	3
FLOAT CHARGED BATTERY AS A POWER SUPPLY	MICHAEL COVINGTON	N4TMI	86	22
NOVEL CRYSTAL GRINDING MONITOR	JIM	NØOCT	86	16
TWO SIMPLE HF CRYSTAL OSCILLATORS	MARCO ELEUTERI	IKØVSV	86	17
TETRODE/PENTODE RESONANCE MONITOR	DUNCAN CADD	GØUTY	87	15
A SPECTRUM WAVEMETER ⓘ	TONY FISHPOOL	G4WIF	87	17
MINI CRYSTAL CHECKER / XCO	A.W. MCNEILL	G3FCK	89	3
QUICK POWER SUPPLY			89	34
73 KHZ OSCILLATOR	STEVE ORTMAYER	G4RAW	90	35
AN ACTIVE LOOP ANTENNA FOR 73KHZ	BERT KRUYSWIJK	PA3FSC	90	3
AN IMPROVED LF BALANCED MIXER	JOHN HEY	G3TDZ	90	22
HOW TO LOSE YOUR MEMORY	REG MOORES	G3GZT	90	25
LEMON JUICE SIDETONE	LES JACKSON	G4GLJ/G4HZJ	90	12
DESTROY SUBHARMONIC RESONANCES IN TRANSISTOR PA	Ha-Jo BRANDT	DJ1ZB	91	6
PARRALLEL SMALL-SIGNAL BJTs FOR MORE POWER	DOUG DEMAW	W1FB	91	25
RF SNIFFER	STEVE ORTMAYER	G4RAW	91	34
A HIGH STABILITY OSCILLATOR UNIT	RAY LOVELAND	G2ARU	92	19
AN ADD-ON AUDIO TAILORING CIRCUIT	KIMON NICOLAIDES	G4WQX	92	27
DISCONTINUOUS DIRECTIONAL RING RADIATOR ANTENNAS	COLEN HARLOW	G8BTK	92	36
MORSE OSCILLATOR	STEVE ORTMAYER	G4RAW	92	35
BEAT FREQUENCY OSCILLATOR IN SARDINE CAN	STEVE ORTMAYER	G4RAW	94	34

THE PEG-LEG GRIPPER	KEN CRAVEN	G4LKP	94	13
A SIMPLE TUNE-UP AID	JACK HOLSTEAD	G3OZC	95	24
A STEREO AUDIO FILTER	H.C. SPENCER	G6NA	95	13
THE GADGET [3.5 - 18MHZ] DSB/CW MODULE	JOHN SEAGAR	G0UCP	95	11
WIDE RANGE CRYSTAL CONTROL ON 80M	WALTER FARRAR	G3ESP	95	9
MORE STEREO CW FILTER IDEAS	H.C. SPENCER	G6NA	96	15
STEREO EFFECT FILTER	MIKE HAUGRUND	DF2OK	96	15
SUPER WIDE RANGE VXO	FRANCO AMBRI	I4AFQ	96	11
34.575 HZ CRYSTAL FILTER FOR SSB	JAN VERDUYN	G0BBL	97	7
DDS3 - 40MHZ DIRECT DIGITAL SYNTHESISER	MICK HODGES	G4OPE	97	21
A SIMPLE EASY BUILD BROADBAND AMPLIFIER	MARCO ELEUTERI	IK0VSV	98	3
THE DL-QRP-PA [9W ON A 1 INCH BOARD]	PETER ZENKER	DL2FI	98	12
A 1KHZ PASSIVE AUDIO FILTER	HA-JO BRANDT	DJ1ZB	99	35
A VXO FOR 136KHZ	IAN BROWN	G3TLH	99	8
A SIMPLE RF SOURCE	JIM BRETT	G0TFP	100	14
WEEKEND PROJECTS FOR QRPERS	GEORGE DOBBS	G3RJV	100	4
CHANGE OVER CIRCUIT	STEVE ORTMAYER	G4RAW	101	35
AN INDUCTANCE METER	GORDEN POPE	G3ASV	102	12
THE ONE CORK PIN-OUT CHECKER	DR. KEN CRAVEN	G4LKP	102	13
THE CHEAPEST SIDETONE	ERIC VAN BREE	PA9EVB	102	15
MAKING SMALL BOXES FROM TINPLATE	RONNIE MARSHALL	GM4JJG	102	20
A MICROPHONE TIP	NEIL MACKINNON	G4WAZ	103	7
PEG GRIPPER & TESTER	KEN CRAVEN	G4LPK	103	14
NO COST FIELD STRENGTH METER	JOHN GARDNER	GW4KVI	103	26
MISERS ANTENNA ANALYSER	GERALD STANCEY	G3MCK	103	8
A 0 - 15 dB ATTENUATOR	MALCOLM EALES	M0AJL	104	12
A MODERN THERMOCOUPLE AMMETER	DAVID A.REID	PA3HBB/G0BZF	104	25
NICAD CHARGER	STEVE ORTMAYER	G4RAW	104	35
EASYDIP	HARRY FROGATT	G3SOX	105	11
THE TUNING WAND	BILL COOPER	G4CIA	106	14
MORSE OSCILLATOR	STEVE ORTMAYER	G4RAW	107	33
LED RF TEST PROBE	GEORGE BURT	GM3OXX	108	9
AN ISLAND PUNCH	WYNN HIRST	G3YXK	108	10
SIMPLE NiMH CHARGER	FRASER ROBERTSON	G4BJM	108	23
THE FIVE MINUTE TOUCH TUNE FOR FT817	PAUL WEBB	M0BMN	109	12
MICROCONTROLLER FT817 TUNING ASSISTANCE	PAUL WEBB	M0BMN	109	13
LED RF TEST PROBE - TIP	MEL	G0GQX	109	28
A SIMPLE L/C BRIDGE	DAVID PORTER	G0UTF	110	3
COMPARATIVE DEVIATION METER	RODNEY	G7OLE	110	34
LAMBDA OSCILLATOR AS A SIMPLE SUBSTITUTE FOR A DIP METER. ⓘ	BOZIDAR PASARIC	9A2HL	111	4
A VERSATILE TEST OSCILLATOR	IVOR BOLTON	G3JES	111	10
QRP ZERO BEAT INDICATOR FOR THE ELECRAFT K2 (AND OTHER TRANSCEIVERS) ⓘ	SVERRE HOLM	LA3ZA	111	17
LOW PASS FILTER FOR 5MHz BAND TRANSMITTER	TONY LYMER	GM0DHD	113	8
AN UGLY CONSTRUCTION WORKBENCH	STEVE RAWLINGS	GW4ALG	115	8
NOTES ON THE SM3CLA RF CW MONITOR	HA-JO BRANT	DJ1ZB	115	11
12BH7A SINGLE PUSH PULL AUDIO AMPLIFIER	HEHIKO KOMACHI	JA9MAT	117	20
VARIABLE POWER SUPPLY FOR KENWOOD TS430S	KEN GREENOUGH	G0WBM	117	21
THE QRP+ COMPANION	ROY WALKER	G0TAK	117	22
USING ELECTRIC LAMPS AS RF INDICATORS	GUS TAYLOR	G8PG	117	28
TWO SMALL TIPS FOR SPRAT READERS	GEORGE WOODWORTH	GW4ZAG	117	31
TWIN QRP RF METER	JIMMY BOLTON	G3HBN	119	11

Antenna Topics

Title	Author	Callsign	Sprat	Page
IMPROVING SHORT LF ANTENNAS	GUS TAYLOR	G8PG	2	5
LOOP AND LEG ANTENNA	GORDON BENNET	G3DNF	8	9
PORTABLE WHIP ANTENNA	G.WHEELER	G3ZOF	17	15
ZL SPECIAL	GUS TAYLOR	G8PG	19	15
QRP VERTICAL ANTENNA	RALPH BURCH	W8LCU	20	17
MINI LOOP	PETER DOUDERA	OK1DKW	21	8
20m ASYMETRICAL ANTENNA	F.HANDSCOMBE	G4BWP	22	14
RHOMBIQUAD (ANTENNA)	IAN KEYSER	G3ROO	22	10
DOUBLE D BEAM	PETER DODD	G3LDO	23	10
HB9CV 2 ELEMENT BEAM	PETER DOUDERA	OK1DKW	23	14
DOUBLE INVERTED VEE	TIM COOK	G5DEH	24	12
RIZZOU ANTENNAS	ANDY	WB2RZU	24	11
CAPACITIVE TUNING FOR LOOP ANTENNAS	HA-JO BRANDT	DJ1ZB	25	8
SLOPER SYSTEM	CHRIS PAGE	G4BUE	25	3
KITE ANTENNA	ROY ROWNTREE	G3ZQA	27	8
PHASED VERTICLES FOR 15 AND 20m	JOHN HACKET	LA2QAA	28	13
FEEDING THE WHIP	CHAS BRYANT	GW3SB	30	8
MORE ON THE DOUBLE D BEAM	PETER DODD	G3LDO	30	10
SLED KITE ANTENNA	ROY ROWNTREE	G3ZQA	30	5
15m MONOBAND YAGI	FRANK LEE	G3YCC	31	7
3 BAND MINI GROUND PLANE	STAN WALKER	G3MPW	31	4
SKELETON CONE ANTENNA	BOB SPIDEL	W6SKQ	34	16
15m HELICAL ANTENNA	BEN JOHANSSON	CT4CH	36	10
SCOTSMAN'S 3 BANDS ANTENNA	TOM SORBIE	GM3MXN	37	13
SPIDER QUAD	BOB SPIDELL	W6SKQ	37	14
HORIZONTAL BEAMS	BRICE ANDERSON	W9PNE	38	6
MORE IDEAS ON SHORTENED DIPOLES	BEN JOHENSSON	CT4CH	38	14
3 BAND V BEAM	JOHN HACKET	LA2QAA	39	15
40m TOP LOADED VERTICAL	BRICE ANDERSON	W9PNE	40	9
BOBTAIL CURTAIN	JIM FITTON	W1FMR	40	10
END FED BRUCE ARRAY	GORDON BENNET	G3DNF	41	4
MULTI-BAND DELTA LOOP	P.SWARBRIDK	G3ZGN	41	18
SKELETON CONE REVISITED	BOB SPIDELL	W6SKQ	43	20
SLOPER THAT NEEDS NO TUNING	JERRY BARTACHEK	KDOCA	44	20
TOAST RACK ANTENNA	STEWART CAMERON	GM4UTP	45	18
MAGNETIC DELTA LOOP ANTENNA	UDO VELTEN	DL1HCU	46	17
10m J POLE ANTENNA	IAN KEYSER	G3ROO	47	19
SCHH.... QUIET 30m ANTENNA	WD LAPPI	WD4LOO	47	8
FURTHER EVOLUTION OF THE DOUBLE D ANTENNA ⓘ	PETER DODD	G3LDO	49	14
A Z MATCH UNIT	DAVID JACKSON	G4BYY	50	13
HULA HOOP ANTENNA	JOHN MCDONNELL	G3DOP	50	16
MEASUREMENT OF ANTENNA IMPEDANCE	G3LDO	G3TML	50	22
REDUCING NOISE ON 3.5 MHZ	IAN GM4HBG GUS	G8PG	50	27
14 MHZ MOBILE ROOFRACK ANTENNA	PETER DODD	G3LDO	51	20
A SMALL GARDEN AERIEL	BILL BARTLETT	G4KIH	52	19
AN ALTERNATIVE PORTABLE ANTENNA	WES HEYWARD	W7ZOI	52	13
AN OMEGA MATCHED 14 MHZ MOBILE VERTICAL	PETER DODD	G3LDO	52	22
THE 'HOVER' LOOP ANTENNA	MIKE KING	G3MY	54	18
CHEAP DIPOLE CENTRE PEICE	WALTAR FARRAR	G3ESP	55	7

TWO METRE CAR ANTENNA	UDO VELTEN	DL1HCU	55	20
SWITCHED MULTI DIPOLES	DAVE RAYNER	G4XNP	56	14
PILLBOX SPECIAL		G3LGX	57	13
QRP MINI A.T.U.			57	3
YET ANOTHER DOUBLE-D BEAM ANTENNA DESIGN	PETER DODD	G3LDO	57	16
THEME AND VARIATIONS ON TWO WIRES	BOB BROWN	NM7M	58	20
CLASSIC ANTENNA TUNER	C.F. ROCKEY	W9SCH	59	15
THE DJ4GA DISCONE ANTENNA ON 28MC/S			59	28
SHORT LOADED DIPOLES PROGRAM	DEREK WICKETT	G4PXD	60	18
THE ROCKLOOP FOR THE 15,20,30 METER BNDS	C.F.ROCKEY	W9SCH	60	15
MAGNETIC LOOP ANTENNA	TOM SORBIE	GM3MXN	61	22
FOLAWAY LOOP ANTENNA			62	3
SUITCASE MAGNETIC LOOP FOR 40 - 20m	DAVE ALLARDYCE	DJ0PJ	63	19
10 FOOT LONG ANTENNA	GUS TAYLOR	G8PG	64	4
A TWO ELEMENT 50 MHZ BEAM	BRIAN BOOTH	G3SYC	64	10
MINI T-PEICE FOR DIPOLES		G3FCK	64	25
ROLLER COASTER TURNS INDICATOR	IAN BROWN	G3TLH	64	26
THE FD4 WINDOM	TOM SORBIE	GM3MXN	64	24
THE G3HQR 9-BAND HYBRID LOOP	ALEC ANDERSON	GD3HQR	64	20
ANTENNA FOR 7 HF BANDS	GUS TAYLOR	G8PG	65	10
HYBRID PHASER		GD3HQR	65	11
A 7 MHZ MAG LOOP	BEN JOHENSSON	SM6YF	66	19
UP AND OUTER	C.F. ROCKEY	W9SCH	66	18
W5HKA ANTENNA NOTE			66	26
SHORT LINEAR LOADED HF ANTENNA	GUS TAYLOR	G8PG	68	3
SPACERS FROM BINDERS	DAVE GOSLING	GØNEZ	68	14
A FOUR BAND UP AND OUTER ANTENNA	C.F. ROCKY	W9SCH	69	16
DIPOLE CENTRE INSULATOR	GERALD STANCEY	GM3MCK	69	9
ONE ANTENNA FOR EVERY BAND ALMOST!!	BILL WRIGHT	G0FAH	70	12
A BETTER MINI DIPOLE T PEICE	A.W. McNEILL	G3FCK	71	18
THE DOUBLET ANTENNA	FRANK LEE	G3YCC	72	29
THE PANTHER A COMMERCIAL ANTENNA	GUS TAYLOR	G8PG	72	37
AN IMPROVED 7MHZ LOOP ANTENA	BEN JOHANSSON	SM6YF	73	18
THE GM4JMU SHORTENED 7MHz DIPOLE	KEN MAXTED	GM4JMU	74	11
A NINE BAND HELICALLY WOUND DOUBLET ANTENNA	CONSTANTINE FERUGLIO	IV3VS	75	19
THE LAZY H WORKS FOR ME	MIKE MICHAEL	W3TS	75	9
THE MARK II CROSSFIELD ANTENNA	ALEC ANDERSON	GD3HQR	75	10
THE VE3FQW NINE BAND ZIG-ZAG ANTENNA	TOM MEIN	VE3FQW	75	18
CONVERTING YOUR W3EDP INTO AN 80M LOOP ANTENNA	DAVID GOSLING	GØNEZ	77	34
THE GWØNSR FOLDED MONOPOLE	TONY TUIITE	GWØNSR	77	20
SOME IDEAS ON KITE CARRIED AERIALS	OLIVER BORKOWSKI	DF6MS	78	12
THE GOSLING 8 BAND SMALL GARDEN ANTENNA	DAVID GOSLING	GØNEZ	79	19
THE BEVERIDGEOVITCH ANTENNA	IGOR GRIGOROW	RK3ZK	80	31
END FEEDING A HALF WAVE WIRE VIA CO-AX	LUTZ	DL2HRP	81	27
THE BOBTAIL	MIKE	GØROT	81	27
THE MAY SPECIAL	HA-JO BRANDT	DJ1ZB	83	27
AN ACTIVE HF RECEIVING ANTENNA	JOHN YOUNG	G7BCJ	84	24
LOOP THE LOOP WITH AAA		G4VPF	84	33
THE PYTHAGORAS MEGA-KIT	MARK PALMER	GØOIW	84	18
THE MOA SHORT SLOPER	MAX ALTMANN	DJ7RU	85	30
A LYNX CENTRE PIECE	M. A. EALES	G7SGF	86	11

FRANK'S MIGHTY MIDGET	FRANK LEE	G3YCC	86	27
TEN THOUGHTS ABOUT ANTENNAS			86	28
THE SOUTHEND SPECIAL	AAA TECHNICAL STAFF		86	27
SHORT LINEAR LOADED HF ANTENNA	JACK	GØDNC	87	28
THE SWISS ANTENNA - GERMAN STYLE	LUTZ BERGNER	DL2HRP	87	28
LA ANTENNE VERTICALE BOBINEE (7MHz)	ANDRE TART	ON5UP	88	26
THE G3WQW MINI DOUBLET			89	27
THE SO-CALLED ARTIFICIAL EARTH			89	26
THE W9BRD COMPACT LOOP	ROCKY	W9SCH	89	26
A 1:1 OR 4:1 FERRITE ROD BALUN	F.G.STEWART	G3WQW	90	26
THE NIZHYN SPECIAL CO-AX FED WINDOM	PETER GRITSAY	US1REO	90	26
A UBIQUITOUS L NETWORK	A.A.A. TECHNICAL STAFF		91	26
THE G2WI MULTI-BAND VERTICAL	JACK HOLSTEAD	G3OZC	91	26
W9SCH VERSION OF THE W9BRD COMPACT LOOP	C.F.ROCKEY	W9SCH	91	27
A FEW THOUGHTS ON ANTENNA SUPPORTS	A.A.A. STAFF		92	28
THE G3HBN COLLAPSIBLE LOOP COVERING 7 TO 30 MHZ			92	29
FACTORS AFFECTING THE EFFICIENCY OF THE DDR HULA-HOOP	GUS TAYLOR	G8PG	93	28
PUTTING A HALF SIZE G5RV ON 80M	M.A.EALES	M0AJL	93	29
PVC GUSHER ANTENNA MOUNT FOR DIPOLES	JOE EVERHART	N2CX	93	15
TESTS WITH AN END FED RESONANT FEEDLINE DIPOLE		AA6AX	94	29
END FED HALF WAVE ANTENNAS FOR FIXED OR PORTABLE USE	F.G.STEWART	G3WQW	95	28
THE G3WQW 80M TO 10M SINGLE TOROID COIL Z-MATCH	F.G.STEWART	G3WQW	95	29
A SEVEN AND A HALF BAND 8 METRE LONG ANTENNA	A.A.A. TECHNICAL STAFF		96	29
THE G3OEP ANTENNA	DAVE BUDDERY	G3OEP	96	28
THE G4FBS LIGHT WEIGHT AERIAL TRAP	HORNDEAN D.A.R.C.	G0FYX	96	16
EXTRA LIGHT WEATHERPROOF DIPOLE SPACER	BERT FROGATT	G3SOX	97	17
L-MATCH	STEVE ORTMAYER	G4RAW	97	35
THE M0AJL MULTI-BAND VOLTAGE FED ANTENNA	M.A.EALES	M0AJL	97	28
THE "GUTTERSNIPE" ANTENNA	DAVE LUNN	G3LSL	98	29
6M ANTENNA	BERND ZANDER	DL6YCG	98	31
THE CUCKOO-KILLER	DOUG GIBSON	G4RGN	98	36
PARKING LOT PORTABLE VERTICAL	SAM BILLINGSLEY	AE4GX	99	18
THE DRAINPIPE SPECIAL	LEIGHTON SMART	GW0LBI	100	23
HF ACTIVE ANTENNA FOR RECEPTION	MARCO ELEUTERI	IK0VSV	101	14
LOADING A LONG WIRE WITH G3WQW's ATU	VICTOR BRAND	G3JNB	101	25
THE G3ESP 3.5 TO 28 MHZ FEEDER ANTENNA SYSTEM	W. FARRAR	G3ESP	101	27
THE M0AJL COMPACT 5 BANDER	M.A.EALES	M0AJL	101	26
THE SEWERPIPE POLE	JOHN CRAWLEY	GM3LBX	102	14
A SIMPLIFIED MEANDER ANTENNA ONLY 6 FEET LONG	A.A.A. TECHNICAL STAFF		102	26
THE G3GVY LOOP	M.G. JAMES	G3GVY	102	27
A BACKPACKERS DIPOLE ANTENNA	IAN BUTTERWORTH	G4BZO	104	9
ANTENNA MOUNTING THROUGH A HOUSE ROOF	TOM SORBIE	GM3MXM	105	12
THE ON5NO MOBILE ANTENNA Ⓞ	G. De SMEDT	ON5NO	105	26
THE GM3MXN MULTI BAND WINDOM	T. SORBIE	GM3MXN	105	28
ST. LOUIS VERTICAL	DAVE GAUDING	NF0R	108	28
A QRP MAGNETIC LOOP	RAY GOFF	G4FON	109	30
MULTIBAND PORTABLE WHIP ANTENNA	MARCO ELEUTERI	IK0VSV	110	6
AN END FED DIPOLE	ANDREW SMITH	G4OEP	110	12

A SIMPLE NVIS 2 BAND ANTENNA	BERND ZANDER	DL6YGG	110	30
THE "EIGHT ESSQUE" ANTENNA	JOHN BEECH	G8SEQ	110	34
AN 80 AND 40 METER END-FED ANTENNA	E. VOELLER	DL2QA	111	30
A SINGLE FEED ANTENNA FOR 3.5 TO 21 MHz	JIM BRETT	G0TFP	112	30
10 TO 20 METRE SHORT LOADED DIPOLE WITH 160 METRE ATTACHMENT	G.A. DAVEY	G4XSM	114	28
AN EXPERIMENTAL, MULTIBAND, PRE-TUNED, COAXIAL STUB ANTENNA	GUS TAYLOR	G8PG	115	30
SARDINE RECEIVER ANTENNA	DUNCAN WALTERS	G4DFV	116	25
USING THE FT817 AND MIRACLE WHIP	TED LANDON	G3MHT	118	16
THE 20M HBA	GOTTFRIED KLOYER	DL2MFJ	118	18
UNITENNA	WOLF JUERGENS	DL2WRJ	119	12
AN EXPERIMENTAL 20FT HIGH VERTICAL FOR 7MHZ	DESMONG VANCE	G13XZM	119	28
THE LITTLE WIZARD	ALAN TROY	G4KRN	119	28

TenTec Topics

Title	Author	Callsign	Sprat	Page
160m TRANSVERTER FOR THE ARGONAUT	COLIN TURNER	G3VTT	26	9
VOLTAGE REGULATOR FOR THE ARGONAUT	BRICE ANDERSON	W9PNE	28	17
ARGONAUT TRANSVERTER SWITCHING	GEORGE DOBBS	G3RJV	32	10
CONVERTING THE ARGONAUT TO 160m	S.MATTSON	SM6AOQ	34	6
ADDING 10 MHZ TO THE ARGONAUT	GEORGE SCHOLTER	LX1BK	36	11
FITTING AN ATTENUATOR TO THE ARGONAUT	MARK GOODFELLOW	G4KUQ	37	9
QRO WITH THE ARGONAUT	JACK McDERMOTT	GI4NMZ	59	24
ARGONAUT MODIFICATIONS	B.C. WEAVER	WU2J	72	14
ARGONAUT 509 RIT IMPROVEMENT	ELMER VOLLER	DL2QA	74	20
TEN-TEC MAD VFO DISEASE - ANOTHER CAUSE	JOHN LIVINGSTON	G4FDD	98	18
TEN-TEC MAD VFO DISEASE - MORE NOTES	TED TROWELL	G2HKU	98	18
ATTENUATOR FOR THE ARGOSY	TOM SORBIE	GM3MXN	40	11
ARGOSY BREAK-IN MODIFICATIONS	BILL WRIGHT	G0FAH	53	21
MORE ARGOSY II MODIFICATIONS	NEIL MACKINNON	G4WAZ	64	27
A QRP FREQUENCY COUNTER	OLIVIER ERNST	F5LVG	107	12

Reviews

Title	Author	Callsign	Sprat	Page
WIFB's QRP NOTEBOOK			69	26
LOW POWER COMMUNICATIONS VOL1	RICHARD ARLAND	K7YHA	71	28
THE STORY OF THE KEY	LOUISE RAMSEY MOREAU	W3WRE	86	25
DATA BOOK FOR HOMEBREWERS AND QRP ERS	PAUL HARDEN	NA5N	87	10
INTRODUCING QRP	DICK PASCOE	GØBPS	87	34
THE ELECRAFT KX1	PAUL BARLOW	M0CDP	119	16
K2 OR FT817?	JOHN TEAGUE	G3GTJ	119	24

General Mods.

Title	Author	Callsign	Sprat	Page
TS120V MODIFICATION	DOUG HILL	G3ZWH	28	18
THREE BAND DC RECEIVER	MARTYN LINDARS		35	3
TOP 'N' EIGHTY DC CW RECEIVER	PETER BRENT	G4LEG	40	6
AUDIO CW FILTER AND AMPLIFIER			59	18
TEST PROBE	Rickett, W. J.	G8LJO	61	24
THREE BAND RF AMP FOR HW7 AND OTHERS			73	26
ADJUSTING THE POWER OUTPUT OF THE TS50	DUNCAN CADD	GØUTY	86	16
TS50 ON 5 WATTS	WALTER	G3ESP	87	26
AF LOW PASS FILTER FOR THE GQ TRANSCEIVER (OR OTHERS)	WOLF SCHWARZ	DK4RW	88	23
MODS FOR THE POPPET 160M AM TRASMITTER	STEVE HARTLEY	G0FUW	91	24
MORE MILAGE FROM THE PIXIE	GEORGE DAVIES	G3ICO	92	25
SOME NOTES ON THE GQ20 (OR GQ40)	BERND SZYMANIAK	DL7GK	92	24
THE MALTA 20 - MODIFIED MODIFIED MALTA 40 (SPRAT 78)	GUY WINANT	ON6GW	92	16
THE MALTA ON 20 METRES	BOB BOWDEN	G3IXZ	92	16
UNBELIEVABLE RESULTS WITH A NORCAL - 40	PETER ZENKER	DL2FI	92	12
A CW GENERATOR AND SIDETONE FOR THE EPIPHYTE	DAVID BOWMAN	G3LUB	93	14
ADDING CW TO THE EPIPHYTE ⓘ	GRAHAM FIRTH	G3MFJ	93	12
NOTES ON THE G3RJV SPRAT TRANSCEIVER	H.F. Knott and Jim Walker		94	20
A LOUDER EPIPHYTE 2	TONY FISHPOOL	G4WIF	95	25
MOTORS FOR DRIVING VARIABLE CAPACITORS	BILL DURHAM	G3DNE	95	25
EPIPHYTE MK.2 - MODIFICATIONS	ROGER POWELL	G0AOZ	98	7
HOT GLUE AIR WOUND COILS	ALAN UPTON	G3UZU	98	28
LITTLE TIPS FOR THE FT7	BERND ZANDER	DL6YCG	98	19
QRP MOD FOR THE YAESU FT-747GX	LEIGHTON SMART	GW0LBI	98	20
WEATHERPROOFING PL259	RON WILSON	G3DSV	98	28
HOW TO GET FIVE WATTS FROM A TS50 WITHOUT INTERNAL MODS	W.FARRAR	G3ESP	101	27
SOME GENERAL MODIFICATIONS TO THE JBS TRANSMITTER	GERALD STANCEY	G3MCK	101	25
TWO MODS FOR THE TCF AND COMPUTAROCK	K.P.S. KANG	VU2OWF	104	10
THE QRP+ & LOG-EQF AND ANOTHER QRP+ MOD	ROY WALKER	G0TAK	104	26
SPLIT-FREQUENCY ADDITION FOR VFO Tx/Rx	STEVE TAYLOR	G4EDG	105	14
ANOTHER VXO CIRCUIT	PAUL DEBONO	9H1FQ	105	15
RECEIEVER INPUT FILTERS	MARCO ELEUTERI	IK0VSV	105	18
EXTENDING CRYSTAL PULLING RANGE	IAN BRAITHWAITE	G4COL	107	4
DESTROY SUBHARMONIC RESONANCES IN TRANSISTOR PA CIRCUITS - PART II - OR HELP FOR TENTEC 1320/30/40?	HA-JO BRANDT	DJ1ZB	107	9
RF ATTENUATOR FOR MFJ CUB	JAN VERDUYN	G0BBL	108	8
MODS FOR THE SUDDEN RX MK2	MIKE McGRATH	G8XLC	110	20
CONVERT YOUR POWER METER TO READ PEP	IAN KEYSER	G3ROO	110	21
HEPPING UP THE NE612 AND LM386	BILL CURRIE	VK2AWC	111	19
CONVERTING THE 30M MFJ CUB TO VXO A CURE FOR DRIFT	KEN MAXTED	GM4JMU	112	14
EPIPHYTE 3 MODIFICATIONS	CLIVE HOLLINS	M5CHH	112	26
CONVERTING THE 20m MFJ CUB TO VXO OPERATION ⓘ	IAN BRAITHWAITE	G4COL	114	16
ANOTHER MOD FOR THE QRP PLUS	ROY WALKER	G0TAK	114	24
POLYCON SHATF PROBLEM SORTED	VICTOR BRAND	G3JNB	114	25
USING PIN 7 OF THE LM386 TO REDUCE BCI AND ADD SIDETONE TO THE PIXIE 2	SVERRE HOLM	LA3ZA	113	18
RESULTS WITH THE SUPER VXO	MIKE McGRATH	G8XLC	115	4
STABILITY IMPROVEMENT FOR THE HW8 VFO	ANDREA INSOLERA	I2IAL	115	22
A CASCODE SINE WAVE OSCILLATOR IN SMD	STEFAN PETROV	LZ10V	117	3
OVERTONE OSCILLATORS, THE EASY WAY	JOHN HEY	G3TDZ	118	8


QRP CONTROL OF THE TS430	EDDIE MCLEAN	GM4EWM	118	21
SIMPLE VARICAP DIODE TUNING	GEORGE BURT	GM3OXX	118	26
THE LEDEKTOR 3	RUDI BURSE	DK2RS	117	19
A USEFUL RIT CIRCUIT FOR VXO USE	DUNCAN WALTERS	G4DFV	119	14
A SIMPLE CRADLE FOR THE FT817	CHAS WATKINS	G3TTZ	119	26

<h2>Heathkit</h2>				
Title	Author	Callsign	Sprat	Page
IMPROVING THE HW7 - PART 1	HA-JO BRANDT	DJ1ZB	9	10
IMPROVING THE HW7 - PART II	HA-JO BRANDT	DJ1ZB	10	5
HW8 MOD	JOHN SPINKS	G4GIE	17	15
SIMPLE HW8 MODIFICATIONS	TOM SORBIE	GM3MXN	18	7
THREE GOOD HW8 MODS	J.LIVINGSTONE	GM4FDD	20	5
HW8 RIT CONTROL	PETER SCHAUFEL	HB9IK	23	9
HW8 IMPROVEMENTS	MIKE PERRY	PA3ASC	24	13
COPYING THE HW8 - THE HMW8	PAVEL CUNDERLA	OK2BMA	28	14
CONVERTING THE HW7 FOR 10 MHZ	GEORGE SHCOLTER	LX1BK	36	11
HW8 MAC MOD SQUAD	KEN MAXTED	GM4JMU	38	10
30m FOR THE HW8	HOWELL CHING	KH6IJS	39	16
HW8 'S' METER	BENELUX QRP CLUB		39	4
A SELECTION OF HW9 MODIFICATIONS	D.A. MICHAEL	W3TS	55	10
SINGLE SIGNAL SELECTIVITY FOR THE HW7		LX1BK	55	7
PUTTING THE HW8 ON THE WARC BANDS	BOB FOWLER	G3IQF	57	10
FILTER MODS FOR THE HW9	CAM HARTFORD	N6GA	59	22
UPGRADING THE HW7	JACK CLENNON	G4ZQK	59	17
STABLE VFO FOR HW9	TOM SORBIE	GM3MXN	60	16
DIGITAL READOUT FOR HW9	GEORGE SCHOLTES	LX1BK	62	24
CURING HW9 DRIFT	TOM SORBIE	GM3MXN	64	21
NEW LIGHT ON THE HW7 MODS			66	9
MACMOD HW9 IMPROVEMENT	KEN MAXTED	GM4JMM	67	10
SIMPLE HW9 MODIFICATIONS	BERNHARD SZYMANIAK	DL7GK	70	18
AN HW9 SELECTIVITY IMPROVEMENT	PAUL J. LEVESQUE	KB1MJ	71	18
IMPROVING THE OVERLOAD OF THE HW9	IAN LISTON-SMITH	G4JQT	72	17
SIMPLE HW9 MODIFICATIONS	BERNHARD SZYMANIAK	DL7GK	73	25
BAD HW8 OUTPUT CORES	MICHAEL CZUHAJEWSKI	WA8MCQ	75	16
MORE NOTES ON THE HW9	IAN BUTTERWORTH	G4BZO	75	19
HW7 RIT MODIFICATION	BOB LOWE	ZL1AYN	78	14
NOW YOU SEE IT - NOW YOU DON'T TUNING MOD	GUS TAYLOR	G8PG	89	9
HW8 AUDIO MATCHING FILTER GOES STEREO	MALCOLM EALES	M0AJL	99	13

<h2>Kit Reviews</h2>				
Title	Author	Callsign	Sprat	Page
KITS (KIT REVIEW) THE KANGA VFO KIT.			51	12
VARIABLE OUTPUT FROM THE FT-7	WALTER FARRAR	G3ESP	76	16
THE NORCAL-20 TRANSCEIVER KIT	DOUG HENDRICKS	KI6DS	95	27
FREQ-MITE	TONY FISHPOOL	G4WIF	96	18

<h2>Misc. Topics</h2>				
Title	Author	Callsign	Sprat	Page

SHIFT THOSE ROCKS	GORDON BENNET	G3DNF	3	7
CRYSTAL POSSIBILITIES FOR QRP WORK	HA-JO BRANDT	DJ1ZB	5	7
MAKE YOUR PM3A INTO A PM3X	GUS TAYLOR	G8PG	7	10
BROADBAND AMPLIFIER AND DRIVERS	HA-JO BRANDT	DJ1ZB	8	5
BROADBAND PA FOR 20 METRES	HA-JO BRANDT	DJ1ZB	9	19
COHERENT CW - PART 1	JOHN STOCKLEY	G3FMW	10	5
COHERENT CW - PART II	JOHN STOCKLEY	G3FMW	11	6
THRESHOLD GATE NOISE LIMITER	L.IVIN	G5IC	12	12
CHEAP SSB GENERATOR	IAN KEYSER	G3ROO	15	3
QRP FINAL	BRICE ANDERSON	W9PNE	16	9
SOLAR POWER REGULATOR	JOHN	W6PQZ	16	3
HINTS ON MAKING PCBs	IAN KEYSER	G3ROO	17	6
MILLIWATTS FROM AN ARGONAUT	CHRIS PAGE	G4BUE	18	9
INPUT V OUTPUT POWER STANDARDS	ADE WEISS	WORSP	19	3
NOTES ON MILLIWATTS FROM AN ARGONAUT	CHRIS PAGE	G4BUE	19	11
QRP ON 10m WITH A LINER TWO	J.HARKIN	GM4HBM	19	11
PA DESIGN IDEA	GEORGE BURT	GM3OXX	20	15
PASS THAT BAND	DAVID REYNOLDS	G3ZPF	20	16
QRP SQUEEZE KEYSER	DAVE POWELL	G3ZXK	20	7
USING CHEAP OLD METERS	BRIAN CASTLE	G4DYF	20	4
RELAYLESS RIT	IAN KEYSER	G3ROO	25	13
CAPACITIVE TOUCH PADDLE	ROY LEWALLEN	W7EL	26	10
UNIVERSAL SIDETONE	WALT LEGAN	KA4KXX	27	3
BASIC 160m CONVERTER	GEORGE DOBBS	G3RJV	28	8
CAPICITANCE TOUCH PADDLE	BOB NEWSON	G4EEM	28	10
TRANSVERTER ⓘ	GEORGE BURT	GM3OXX	28	17
SIDETONE OSCILLATOR	BILL COOPER	G4CIA	29	9
128 SET FOR QRP	MARTIN SWAN	G4LDG	30	4
PROVEN MIXER CIRCUITS	MARTYN LINDARS		30	9
10 MHZ QUICKEE CONVERTER	FRANK LEE	G3YCC	31	17
10 MHZ TRANSVERTER	TOM SORBIE	GM3MXN	31	10
VXO FOR THE 30m BAND	HA-JO BRANDT	DJ1ZB	31	8
QRP ON 10m FM	RICH ARLAND	K7YHA	32	16
ICOM ICB-1050 FOR 10m FM	JOHN REYNOLDS	G3PTO	34	7
10 MHz TRANSVERTER ⓘ	KEN MAXTED	GM4JMU	35	7
FT7 MODIFICATION	COLIN TURNER	G3VTT	35	17
QRP TRANSMITTERS AND HARMONIC OUTPUT	DOUG DEMAW	W1FB	35	5
WARC CONVERTER	HA-JO BRANDT	DJ1ZB	35	9
PLL CIRCUIT FOR SXI UPPER QRP CHANNELS	GIG DRAGULESCUR	YO6HQ	36	6
50 OHM LOW PASS FILTERS FOR TRANSMITTER	ED WETHERHOLD	W3NQN	37	10
Q MULTIPLIER FOR THE DRAKE 2C	COLIN TURNER	G3VTT	37	12
WIDE BAND UNTUNED PREAMP	LEN COLLEY	G3AGX	37	12
CONVERTING THE LCL2740 CB TO 10m FM			38	11
IMPRESSIONS ON THE DSB80		EI7EH	38	16
PREMIX VFO FOR 10 AND 14 MHz ⓘ	MATT VOLKERT	DF4SQ	38	12
QRP DX FROM GRAND CAYMAN	FRED BONAVIDA	W5QJM	38	18
RF FIRED CW MONITOR	DAVE DABINETT	G4DEP	38	7
MULTIBAND VFO	MIKE STAUNTON	EI3DY	39	5
RF ACTUATED CHANGEOVER SWITCH	IAN BRAITHWAITE	G4COL	39	8
YET ANOTHER 10 MHZ CONVERTER	NOR McINTOSH	GM3RKO	39	17
40m VFO	WES HEYWARD	W7ZOI	40	3
MODS TO THE IC720A FOR QRP OPERATION	BRICE ANDERSON	W9PNE	40	15
SIMPLE PSU	B.GOODGER	ZL2RP	40	5
MODS AND IMPROVEMENTS TO THE TS 120V	JOHN CROXFORD	G3OIC	41	7
RECEIVER OFFSET	DAVE LOGAN	G4EZF	41	12
BI-DIRECTIONAL MIXER	MIKE KOBLIC	GW4GIU	42	3
DIGITAL READOUT FOR DC RIGS	CHRIS BRYANT	GW3SB	43	19
RF RELAY DRIVER	MEL EVANS	GM6JAG	43	19
DAYTON HAMVENTION 1985	CHRIS PAGE	G4BUE	44	13
DIODE PEAK DETECTOR FOR QRP	GRAHAM LAMBERT	ZS6HV	44	17
HOWES RX ON MULTIBAND	MAC McNEIL	G3FCK	44	7
RE-USING OLD PANEL METERS	DAVE LOGAN	G4EZF	44	21
160m TRANSVERTER ⓘ	MALCOLM HORTON	G4DMH	45	6

CHEAP HI - Z HEADPHONE IDEA	GEOFF POLLITT	G4NPQ	45	10
JAGGY NOISE LIMITER	MEL EVANS	GM6JAG	45	21
SINE WAVE SIDETONE	RAY GREENWOOD	G4OQQ	45	20
AUTO KEYER	BEV BRANDEN	G4TDU	46	16
DANDELION SEEDS IN THE WIND	JOHN TRENT	KL7DG	46	19
KEYING AND SWITCHING WITH CMOS ICs	MATT VOLKERT	DF4SQ	46	4
RF PRE-AMP	MIKE MICHAEL	W3TS	46	3
SIMPLE QRP WITH THE TS120/130	BRIAN AUSTIN	ZS6BKW	46	18
AUTOMATIC INTERNAL/EXTERNAL VFO SWITCH	IAN BRAITHWAITE	G4COL	47	10
PROPOGATION NOTES	MIKE MOLINA	EA3FHC	47	22
RF GAIN CONTROL FOR THE ARGOSY	JIM LYON	VE2KN	47	17
LINEAR AND STABLE VFO FOR 14 MHZ	MATT VOLKERT	DF4SQ	48	6
14 MHZ TRANSVERTER	ELMAR VOLLER	DL2QA	49	4
CENTURY 22 APPRAISAL	COLIN TURNER	G3VTT	49	19
SEMI - BREAKIN T/R SWITCH	GRAHAM RANFT	VK7ZO	49	17
ANTENNA TO IONOSPHERE MATCHING	VLADIMIR ADEMOV		50	18
MLX BOARDS			50	13
OOPS SOME ARTICLE UPDATES			50	15
ROUND NOSED PLIER CLAMP	P DAVIES	G8BHI	50	21
THE SUFFOLK TROPHY			50	15
APPLICATION FOR THE MLX SSB BOARD	MIKE HENLEY	G4JXX	51	3
IS THERE A 4406 IN YOUR RIG	PETER LINSEY	G3PDL	51	6
MILLIWATTING ON 2304 MHZ	TERRY YOUNG	K4KJP	51	24
SEMI BREAK-IN AND SIDETONE CIRCUIT	COLIN HAWKINS	GØCEU	51	5
THE CHELMSLEY TROPHY 1987			51	23
80 METRES QRP 	A.W. McNEIL	G3FCK	52	21
A PCB TIP	RONNIE MARSHALL	GM4JJG	52	11
ACTIVE FREQUENCY DOUBLER	IAN BRAITHWAITE	G4COL	52	4
ADAPTING HC25 CRYSTALS TO HC6 HOLDERS	BRIAN HARRIS	G3XGY	52	19
CHECK YOUR OPERATING PROFICIENCY	GUS TAYLOR	G8PG	52	24
THE PROTECTION OF POWER MOSFETS	ALAN UPTON	G3UZU	52	20
AN OUTBOARD AUDIO MODULE FOR RECEIVERS	WES HEYWARD	W7ZOI	53	10
CONSTRUCTORS TIPS PLASTIC DIALS	COLIN HAWKINS	GØCEU	53	9
STAND W.G.AND AMERICAN W.G.			53	9
CLASS A BUFFERS (THEORY V PRACTICE)		G3ZOM	54	13
THE HISTORY OF QRP	ADE WEISS	WØRSP	54	23
EOUROPEAN CW ASSOCIATION	TONY SMITH	G4FAI	55	22
G3ASV VHF TX PCB			55	6
GOOD QRP OPERATING	GERALD STANCEY	G3MCK	55	23
T/R CONTROL FOR DC TRANSCEIVER		G3MBN	55	3
THE SUFFOLK TROPHY			55	21
A QRP VISIT TO OK	COLIN TURNER	G3VTT	56	18
COALS TO NEWCASTLE	BOB BROWN	NM7M	56	20
IAMBIC KEYER	IAN KEYSER	G3ROO	56	8
MILLIWATTING AND MICROWATTING	CHRIS PAGE	G4BUE	56	26
PRACTICAL WIRELESS 144 MHZ QRP CONTEST	STEVE HARTLEY	GMOFUW	56	21
10 USEFUL HINTS AND TIPS	GEORGE DOBBS	G3YCC	57	20
13.8v FROM A 12v REGULATOR		G4RAW	57	8
ANYONE FOR THE 1000 METRES-PER WATT AWARD	A.S. CHESTER	G3CCB	57	8
HOW THE CLUB WORKS			57	21
EMC DIRECTIVE			58	3
TALKING BOOKS FOR THE BLIND			58	13
KANGA ILLEGAL ONER BOARDS			59	9
NON-ETCHED PCB IDEA	BOB LEASK	G4CEO	59	23
SMT - SMD - QRP	BILL MOONEY	G3VZU	59	12
THE G-QRP CLUB SPONSOR A MEMBER SCHEME	DAVID JACKSON	G4HYH	59	25
COHERENT C.W.	PETER LUMB	G3IRM	60	13
G3RJV TRIES S.M.D.			60	33
QSL STORAGE IDEA	VIC FLOWERS	G8QM	60	19
ANOTHER RIT CIRCUIT		G3ZOM	61	23
BALANCED MODULATOR	IAN KEYSER	G3ROO	61	33
DIRECT CONVERSION RECEIVER SELECTIVITY	RAY SMITH	ZL2AQV	61	11
PROJECT FREQUENCY BAND A CONDENSED REP,	GUS TAYLOR	G8PG	61	26

A POSITIVE APPROACH TO BREAKTHROUGH	BILL MOONEY	G3VZU	62	18
AN S.M.D. IAMBIC KEYSER SYSTEM (PART 1)	BILL MOONEY	G3VZU	62	10
DRILL TIP		VK6BWI	62	7
OBSERVATIONS ON G4ZWH POWER METER		G3DNF	62	37
RULES FOR LOW POWER FIELD DAY 1990			62	35
S.M.D. CAPACITIVE TOUCH PADDLE	BILL MOONEY	G3VZU	62	10
TRANSISTOR MARKING	JOHN BEECH	G8SEQ	62	32
AN SMD IAMBIC KEYSER SYSTEM (PART 2)	BILL MOONEY	G3VZU	63	8
SURFACE MOUNT TECHNOLOGY :HAM STYLE	DAVE PLUMBRIDGE	G3KMG	63	16
A TIP FOR CROSS HEADS		G3DNF	64	15
NEAT AND UGLY		G3MNO	64	21
PASSIVE 800HZ FILTERS USING 88MH TOROIDS	HA-JO BRANDT	DJ1ZB	64	9
AGCW QRP CONTESTS RULES		G3DNF	65	27
DON'T SQUANDER YOUR INHERITANCE	FRANK LEE	GM4TYO	66	19
NOVICE NEWS	DAVE GOSLING	G0NEZ	66	33
REDUCING VOLTAGE CONVERTER NOISE	GORDON BENNET	G3DMF	66	14
G QRP CLUB PACKET BBS LIST			68	39
HF FIELD DAY AND QRP	CHRIS PAGE	G4BUE	68	38
THE LYNNE 555 AUDIO OSCILLATOR	KEN RUIZ	G4SGF/ZB2M	69	12
AROUND THE WORLD IN 40 DAYS	PETER DODD	G3LDO	70	28
IMPROVED DESOLDERING PUMP		G4FQQ	70	7
NARROW BAND T.V. ASSOCIATION			71	14
SOME RUSSIAN CW SLANG			71	15
TAKE CARE WITH THAT VACUUM CLEANER		G3OUC	71	28
TWO TIPS FOR SCREWDRIVERS/CONSTRUCTION	JIM HARRISON		71	19
FINDING METER INTERNAL RESISTANCE ⓘ	DAVE ACRILL	G0DJA	72	21
HC6U ADAPTER	GERALD STANCEY	G3MCK	72	21
LOCAL TECH HELP IN CRAWLEY	S BEAUCHAMP	G3SYD	72	32
LOCAL TECH HELP IN DURSLEY	R.D. SEXTON	G4IZS	72	32
THE HB9ADQ MULTIBAND DELTA LOOP A PLEA!!	FRED BONOVIATA	W5QJM	72	20
KRISTA IAMBIC KEYSER	PRODUCT REVIEW		73	26
CHEAP'N EASY TOUCH PADDLES FOR THE CURTIS 8044 CHIP	BERNHARD SZYMANIAK	DL7GK	74	6
FREQUENCY MULTIPLIERS	JOHN BEECH	G8SEQ	74	29
CW KEYSER AND SIDETONE	PETER HOWARD	G4UMB	76	14
EEC EMC REGULATIONS AND THE FUTURE OF KITS			76	28
SIMPLE TOUCH KEYSER	STEVE COLLIS	F1NZY	76	14
FRENCH CALLSIGN CHANGES			77	20
THE FIRST AMATEUR RADIO CONTACT USING A TRANSISTOR			77	30
A REVIEW OF THE S.E.M. QRM ELIMINATOR	GUS TAYLOR	G8PG	78	8
CONTEST FATIGUE REDUCERS	MIKE MICHAEL	W3TS	78	19
TWO QUICK TIPS FROM FRANK LEE G3YCC	FRANK LEE	G3YCC	78	15
A SIDETONE FIX	FRANK LEE	G3YCC	79	23
MFJ 9040 AGC FIX		K4ADL	79	23
THE NORTHERN CALIFORNIA QRP CLUB			79	8
VK CW OPERATORS QRP CLUB			79	12
BUILDING THE NORCAL 40 TRANSCEIVER "HOMEBREW"	DAVE ANTHONY	W5NOE	80	18
DO-IT-YOURSELF SPRAT BINDERS	ROY SMYTH	GI4CBG	80	25
SM7UCZ VINTAGE VALVE RECEIVER - UPDATE	DOUG	G4RGN	80	26
SSB MOBILE WITH THE MIZUHO	BYRON WEAVER	WU2J	80	34
THE APPLETON PROJECT			80	26
THE MALTA 40 - SOME CONSTRUCTION NOTES	CLIVE GRAHAM	G3XIG	80	20
CORRECTION VK2AW MINICOM			81	22
FURTHER NOTES ON THE MALTA 40	MIKE FAULKENER	G0IFK	81	22
WORKING WITH PCB MATERIALS	JOHN BEECH	G8SEQ	81	37
SPIRITUS TRANSISTOR BASTA	ROBERT VAN DER ZAAL	PA3BHK	83	17
A MORSE KEYSER IN CMOS	RICHARD HANES	G0RPH	84	6
A SLOVAKIAN INTERLUDE	FRED GARRATT	G4HOM	84	22
LM386 HINTS	WAYNE BURDICK	N6KR	84	28
SURFACE MOUNT TECHNOLOGY	R J HARRISON	G3TMQ	84	20
FOUR DAYS IN MAY	GEORGE DOBBS	G3RJV	85	18
THE G0BZF KEYSER	DAVE REID	G0BZF	85	11

A FUN IAMBIC KEYSER PADDLE	EARL MEAD	AB6CN	86	19
CUTTING HUM IN THE HWA7-1 POWER SUPPLY AND OTHERS	FRED BONAVIDA	W5QJM	86	24
FOUR DAYS IN MAY UPDATE			86	25
HOW TO PATCH THE QRP-PLUS EPROM	ANDREAS TOMIAK	DH7ADR	86	20
THE G4OPE IAMBIC KEYSER WITH MEMORY	MICK HODGES	G4OPE	86	8
THE MICRO TUTOR	DAVE REID	GØBZF	86	12
WATCH OUT	MAC MCNEILL	G3FCK	86	15
EMC AND AMATEUR RADIO KITS	RSGB PRESS BULLETIN		87	13
FURTHER OBSERVATIONS ON PL259 PLUGS	GEOFF ARNOLD	G3GSR	87	26
PW SEVERN BUILDERS BEWARE			87	16
THE DKØWCY STAND-OFF	GORDON J. BENNETT	G3DNF	87	32
TWO TIPS FOR CONSTRUCTORS	DOUG MEPHAM	G4ERA	87	16
VARICAP TUNING WITH CONSTANT RIT OFFSET	ELMER VOLLAR	DL2QA	87	11
VLF COMES TO THE UK			87	26
HANDY HINTS FOR A HAPPY SHACK			88	32
NOTES ON THE GM3OXX CW FILTER	WALTER FARRAR	G3ESP	88	20
FOUR DAYS IN MAY SYMPOSIUM			89	29
QRP CALENDAR 1997			89	32
AN ALTERNATIVE AUDIO AGC	JOHN HEY	G3TDZ	90	13
USING THE G3ROO SYNTH WITH THE G4OPE DDS VFO	MALCOLM HORTON	G4DMH	91	23
SSB TRANSMIT IF : A REPLACEMENT SCHEME FOR SL1600 IC's	SHELDON HANDS	GW0ELR	92	6
THE LCK REVISITED	IAN KEYSER	G3ROO	92	18
A CHRISTMAS PROJECT	ALBERT HEYNES	G4ZHE	93	5
AN AUDIO SPEECH PROCESSOR	GARY PODGORMY	EW1MM	93	26
EXTRA AUDIO GAIN FOR THE LCK	RICHARD HANES	GØRPH	93	19
MAKE A BOX	JOHN SHAW	G3ZKZ	93	25
THE 74HCU04 - MISRES DREAM	BILL CURRIE	VK3AWC	93	16
CAPACITANCE vs VOLTAGE FOR SOME COMMON DIODES	PAUL HARDEN	NA5N	94	26
THOUGHTS ON TOP BAND	LEIGHTON SMART	GW0LBI	94	27
A LOW BATTERY VOLTAGE INDICATOR	HA-JO BRANDT	DJ1ZB	95	13
CARRIER INSERTION OSCILLATOR	STEVE ORTMAYER	G4RAW	95	35
EXPERIMENTS WITH GILBERT CELL MIXERS	IAN BRAITHWAITE	G4COL	95	17
NOISE CANCELLING MICROPHONE	JOHN BEECH	G8SEQ	95	36
AUDIO PRE-AMP FOR THE EASY-THREE RECEIVER [SPRAT 92]	C.F. ROCKEY	W9SCH	96	25
CARDBOARD CIRCUIT BOARDS DO WORK!	ROD SEYMOUR	G1TNE	96	24
AN EPIPHYTE IN CHILE	KENN EVERARD	CE8/GØNKZ	97	25
EMMA'S CHALLENGE	EMMA CONSTANTINE	2E1BVJ	97	26
WORKING WITH WALL WARTS	FRED BONAVIDA	W5QJM	98	16
CMOS MIXER EXPERIMENTS	LEON WILLIAMS	VK2DOB	99	26
FINISHING FRONT PANELS	VARIOUS AUTHORS		99	10
PENNING DOWN CRYSTALS	RICHARD WELLS	GØRXH	99	6
137Mhz BANDPASS FILTER	STEVE ORTMAYER	G4RAW	100	33
A CRYSTAL CHECKER	WALTER FARRAR	G3ESP	100	13
CERAMIC RESONATORS FOR CHEAP AND CHEERFUL VFOs	JACK PONTON	GMØRWU	100	16
ENHANCED KENWOOD TS-520 QRP OPERATIONS	DAN CASE	KBØJUL	100	24
LOW-VOLTAGE OSCILLATOR FEATURES INCREASED SPECTRAL PURITY	MARCO ELEUTERI	IKØVSV	100	22
REGULATOR WITH FAIL SAFE MONITORING	JIM BRETT	GØTFP	100	12
SINE WAVE AUDIO GENERATOR	FRANK BRUMBAUGH	W4LJD	100	3
VARIOUS MIXERS	JOHN BEECH	G8SEQ	100	34
A SIMPLE SIDETONE	ANDRE MASSIEYE	F5JDG	101	11
A UNIVERSAL VFO/EXCITER	BILL CURRIE	VK3AWC	101	8
MORE ON USING WALL WARTS	GIANCARLO MODA	F-I7SWX	101	13
RECEIVER CW FILTER	LUIGI ADRIATICO	IØKWK	101	17
TWO USEFUL METER CIRCUITS	JOHN HEY	G3TDZ	101	12
QRP TRANCEIVERS USING WIDE RANGE VXO's	NORBERT LITZ	HB9BWY	102	6
THE SNOWFLAKE [1 & 2]	DAVE PENNY	G3PEN	102	8
A QRP DUMMY LOAD	GARETH EVANS	G4XAT	102	9
CIRCUITS AND SHORT CUTS :POT LUCK	DON CALLOW	VK5AIL	102	16

A CONNECTOR BLOCK TOOL RACK	A. ASPINALL	G0NDM	102	17
VK WITH 5 WATTS ON 160 METRES	IAN KEYSER	G3ROO	102	25
A SIMPLE DDS	JOHN COOPER	G8GKU	103	19
A PCB DRILL IDEA	RORY GEOGHEGAN		104	9
COIL FORMERS USING DIN PLUGS	ALAN UPTON	G3UZU	104	16
THE ONE CORK PIN-OUT CHECKER	DR. KEN CRAVEN	G4LKP	104	17
ADVENTURE RADIO	RICHARD NEWSTEAD	G3CWI	105	10
VERY WEAK SIGNAL RECEPTION	PETER DODD	G3LDO	106	10
RECYCLED COMPUTER BITS	TIM OSTLEY	M5TIM	106	13
MORE HEARING AID ADVICE	BRIAN ALDERSON	G3KJX	106	16
PSK - THE NEW CW? (OR MAYBE NOT)	RICHARD CONSTANTINE	G3UGF	106	17
UR-QRP CLUB EXPEDITION	PETER P GRYSAY	US1REO	107	6
SPACE JUNK	TIM OSTLEY	M5TIM	107	15
101 THINGS TO DO WITH A DEAD MOUSE	ROY WALKER	G0TAK	107	16
A RESONATOR VXO	T.T. MANI	VU2ITI	107	20
WIND POWER	JOHN BEECH	G8SEQ	107	34
TRY SURFACE MOUNT CONSTRUCTION	GEORGE DOBBS	G3RJV	108	4
PULLING CRYSTALS EVEN FURTHER	Dr. ANDREW SMITH	G4OEP	108	15
THE TAK893 DOUBLE BALANCED MIXER	G.FIRTH / P. HARDEN	G3MFJ/NA5N	108	24
DESIGN OF SURFACE MOUNT OSCILLATORS	RICHARD TORMET	N8YSK	108	27
HF SELECTIVE MICROVOLTMETER ⓘ	MILAN CATARI	9A9RA	109	3
THE FREQUENCY FINDER ⓘ	BILL CURRIE	VK3AWC	109	6
A CRYSTAL CHECKER	WALTER FARRAR	G3ESP	109	8
OPEN FEEDER CURRENT METER & RF SNIFFER	PATRICK SMITH	GW0VMR	109	9
QRP POWER SUPPLY BASED ON LAMP OIL	FRITS OGG	PA2LIA	109	16
SETTING AUDIO LEVELS FOR DIGITAL MODES	PHIL COOPER	GU0SUP	109	20
"LAUSER-PLUS" TWO BAND MIXER	RUDI BURSE	DK2RS	110	5
THE NJ ISLANDER & IC's	INGO MEYER	DK3RED	110	10
MOUNTING IC SOCKETS a la MANHATTEN	DOV RABINOWITZ	AD0V	110	11
QRP AND S UNITS	PAUL HARDEN	NA5N	110	14
BOOSTING THE LM386	BILL CURRIE	VK3AWC	110	16
A ONCE ONLY SIDETONE OSCILLATOR	BILL DURHAM	G3DNE	110	17
A SIMPLE METHOD FOR MEASURING PEP	TONY LYMER	GM0DHD	110	24
A FEW RADIATION/ABSORPTION METER IDEAS	MIKE AUSTIN	M0AAB	110	29
HELP YOURSELF TO HEAR	ROY WALKER	G0TAK	111	10
CURRENT LIMITING BATTERY CHARGER	BILL HICKOX	K5BDZ	111	13
A FEW THOUGHTS ON THE K5BDZ CHARGER	JACK GENTLE	G0RVN	112	29
DIGITAL MODES FOR FREE	PAUL COURT	G1ROK	113	13
NEW RECEIVER CW FILTER	LUIGI ADRIATICO	I0KWK	113	26
SIMPLE RF FIRED CW MONITOR	KARL ELMSJOE	SM3CLA	114	17
TWO PRACTICAL IDEAS	GEORGE WOODWORTH	GW4ZAG	114	20
THE ROCK STEADY CRADLE FOR THE FT817	HANS SCHROEDER	AE9G	114	21
QRP BEYOND BELIEF	IGOR GRIGOROW	RK3ZK	114	22
IS IONOSPHERIC PROPOGATION IN DECLINE?	STEVE RAWLINGS	GW4ALG	115	21
UNLEASHING THE LM386	SVERRE HOLM	LA3ZA	116	4
HOW TO DESIGN POWER SUPPLIES AND CHARGERS	MARCO ELEUTERI	IK0VSV	116	14
A PCB FOR THE I7SWX H-MODE MIXER PLUS A BFO	STEFAN PETROV	LZ1OV	116	20
USING COMPUTER MORSE TRAINING PROGRAMS	HARRY BRASH	GM3RVL	116	26
A "KEEP IT SIMPLE" VFO	JIM BRETT	G0TFP	119	4
SUPPLY REVERSAL PROTECTION CIRCUIT	STEF NIEWIAOMSKI		119	15
74HC04 OSCILLATOR BUFFER AND HARMONIC GENERATOR	TEF NIEWIAOMSKI		119	18
A QRP WARC SPEED CHALLENGE	JIM LEVISTON	G3NFB	119	25
MAKING PCB'S WITH INKJET PRINTERS	DAVID SMITH	G4COE		

Morse Keys Mainly Electronic

Title	Author	Callsign	Sprat	Page
QRP SQUEEZE KEYS	DAVE POWELL	G3ZXK	7	20
SIMPLE AUTO KEYS	GUS TAYLOR	G8PG	7	12
CAPACITIVE TOUCH PADDLE	ROY LEWALLEN	W7EL	10	26
CAPICITANCE TOUCH PADDLE	BOB NEWSON	G4EEM	10	28
SIMPLE CMOS KEYS FOR THE QRP RIGS	ROY LEWALLEN	W7EL	11	22
AN ALTERNATIVE KEYING ARRANGEMENT	LES TALKOWSKI	G0SDQ	17	17
AUTO KEYS	BEV BRANDEN	G4TDU	46	16
MLX BOARDS			50	13
IAMBIC KEYS	IAN KEYSER	G3ROO	56	8
AN S.M.D. IAMBIC KEYS SYSTEM (PART 1)	BILL MOONEY	G3VZU	62	10
S.M.D. CAPACITIVE TOUCH PADDLE	BILL MOONEY	G3VZU	62	10
AN SMD IAMBIC KEYS SYSTEM (PART 2)	BILL MOONEY	G3VZU	63	8
ELECTRONIC KEYS ⓘ	PIERRE FILLINGER	FE1MOG	69	17
KRISTA IAMBIC KEYS	PRODUCT REVIEW		73	26
CHEAP'N EASY TOUCH PADDLES FOR THE CURTIS 8044 CHIP	BERNHARD SZYMANIAK	DL7GK	74	6
CW KEYS AND SIDETONE	PETER HOWARD	G4UMB	76	14
SIMPLE TOUCH KEYS	STEVE COLLIS	F1NZY	76	76
A SIMPLE KEYS - SUITABLE FOR THE ONER	K P S KANG	VU2KLA	83	17
A MORSE KEYS IN CMOS	RICHARD HANES	G0RPH	84	6
MR MOUSE KEYS	BILL	KD7S	84	35
THE G0BZF KEYS	DAVE REID	G0BZF	85	85
A FUN IAMBIC KEYS PADDLE	EARL MEAD	AB6CN	86	19
THE G4OPE IAMBIC KEYS WITH MEMORY	MICK HODGES	G4OPE	86	86
THE MICRO TUTOR	DAVE REID	G0BZF	86	86
A SIMPLE TOUCH PADDLE	DAVE LUNN	G3LSL	88	21
A SIMPLE KEYS	MIKE SUMNER	G3PVH	90	23
A VARICAP TUNING DIAL	JIM HILL	G4LND	90	24
THE MINI-E-BUG	HANNES HILLER	DL9SCO	92	8
THE TRANSMITTER KEYS	JOHNNIE APELL	SM7UCZ	93	6
THE MINI TRANSMITTER KEYS	JOHNNIE APELL	SM7UCZ	94	21
AN ELECTRONIC KEYS FOR THE HOME BREWER	URS HADORN	HB9ABO	95	4
A MORSE KEYS TIP	ALBERT HEYES	G3ZHE	97	17
IAMBIC MODE MODIFICATIONS FOR THE DF1KY KEYS	BRUCE BORROWS	GM0LLJ	97	18
A HAND HELD BELL PUSH PADDLE	JAMES BOLTON	G3HBN	101	24
DXKEY - PIC KEYS CW	STEFANO PAPINI	IK5XCT	109	18
PALM MINI PADDLE PLUG SUPPORT	RON PRATT	G4DDX	111	25
ELECTRONIC KEYS	JACK BENNETT	G3PVG	114	18
TELEGRAPH KEYS FOR A QRP EXPEDITION	IGOR GRIGOROW	RK3ZK	114	26
SIMPLE CODE KEYS TO ENCOURAGE THE BEGINNER	HOWIE KRAUSSE	W5OM	115	20
ELECTRONIC KEYING FOR AN ELECTRONIC KEYS	IGOR GRIGOROW	RK3ZK	115	28
KEYING THE ELECRAFT K2 FOM A PC	STEVE RAWLINGS	GW4ALG	116	17
HOMEMADE MECHANICAL BUG KEYS	GREG KNOBEL	HB9FAE	116	24

Photocal

Title	Author	Callsign	Sprat	Page
YET ANOTHER SIDETONE	KEN MAXTED	GM4JMU	33	15
G3DOP ON QRP WITH 1154			51	16
G-QRP CLUB IN DAYTON			51	16
20m CW TRANSCEIVER		G3RJV	53	15
CHERITON TWO BAND RX			53	15

HOME STATION G3JNB			53	16
UNICHIP TRANSCEIVER	MIKE KING	G3MY	53	15
SUDDEN RX 80 40 20 VERSIONS			58	FC
G4WUS COMPACT TRANSCEIVER			59	FC
GQRP CLUB IN TEXAS 89			60	21
LZ15IM 20m TRANSCEIVER			64	22
W62H 20m QRP TRANSCEIVER			64	23
1991 SUMMER QRP PARTY			68	35
DIETER TRUMMER OE6WTD MEMBER 5126			69	FC
THE LYNNE 555 OSCILLATOR			69	13
K4TWJ PEN TX			71	14
NAT LAYOUT			71	13
NO COST ATU MKII			71	10
THE QRP ARCI HONOR ROLLERS AT DAYTON			71	FC
VARIOUS PICTURES OF DAYTON 92			71	27
RICK CAMPBELL KK7B ROY LEWALLEN W7EL			72	FC
THE DAVCO AMATEUR BANDS RECEIVER			72	30
ANDY STAFFORD G4VPM/5B4			74	39
OUR FIRST GW QRP MASTER			74	27
DAYTON 1993 REPORT			75	29
THE SHACK OF PHIL (2WØACD)			76	35
THE LATE LUKE DODDS W5 HKA			78	FC
THE G3TXQ CUB - WHAT A GOOD IDEA			79	FC
QSL BUREAU MANAGER - BOB HUDSON G4JFN			80	27
SPRAT ILLUSTRATOR - A.W. McNEILL G3FCK			80	27
THE ANV 20SSB/CW TRANSCEIVER			80	FC
G3RJV (9M8GD) IN BORNEO			81	FC
WEDDING OF G3PDL			83	34
THE OM9MV CREW			84	23
TEN MINUTE TX FOUND HIDING IN A GERMAN MORSE KEY	PETER	DJØGD	88	32
QRP ARCI HALL OF FAME INDUCTEES 2003			115	COVER
GEORGE G3ICO WINS G2NJ TROPHY			119	COVER
QRP ARCI HALL OF FAME INDUCTEES 2004			119	COVER

Receiver Topics

Title	Author	Callsign	Sprat	Page
FET REGENERATIVE RECEIVER	HA-JO BRANDT	DJ1ZB	4	13
SR 1.5-4 RECEIVER	W.JONES	GW8PLV	14	5
SILVER TERN SUPER REFLEX RECEIVER	EMIL TENLUND		15	7
IC 1.8-2.5 MHZ RECEIVER	IAN KEYSER	G3ROO	17	3
DC RECEIVER FOR 80 METRES	PETER BRENT	G4LEG	22	8
TWO WATTS OUT WITH AN FT7	FELIX CARBONARA	I7CCF	22	10
DC-77 RECEIVER		PAØGBY	30	3
ROO 10 MHZ RECEIVER	IAN KEYSER	G3ROO	31	16
HF PRESELECTOR	HA-JO BRANDT	DJ1ZB	33	10
SIMPLE STRAIGHT 2.5-28 MHZ RECEIVER	DON BENHAM	GW3ZFY	34	8
80 TO 2 METRES RECEIVE CONVERTER	JOHN REYNOLDS	G3PTO	35	18
LOW POWER SSB/CW HF RECEIVER	MIKE SMALL	G4DVI	37	6
SIMPLE 14 MHZ RECEIVER	IAN BRAITHWAITE	G4COL	37	4
160 AND 30m RECEIVE CONVERTER	MAURICE SELBY	G4LV	38	4
DIRECT CONVERSION RX FRONT END	MIKE SOUTHALL	G3WWS	38	9
SPECIAL PURPOSE RECEIVER	WES HAYWARD	W7ZOI	44	12
CQC DUAL BANDER RECEIVER			47	3
ROCKET RECEIVER ⓘ	MIKE MOLINA	EA3FHC	47	14
TENOR 80m DC RECEIVER ⓘ	PHIL HOBSON	G4HOJ	49	8

THE NIG A SIMPLE SUPERHET FOR 80 AND 40 ON ONE RX	GEORGE BURT	GM30XX	50	24
THE ONER IMP RX	GEORGE DOBBS	G3RJV	54	16
A SIMPLE 29 MHZ DC RECEIVER	IAN KEYSER	G3ROO	54	16
STABLE RF AMP FOR THE 10 TEC ARGOSY II	JOHN YOUNG	BRS33339	55	18
THE UNO	D.A. MICHAEL	W3TS	55	16
THE UNO ON 40 METRES	FINBAR O'CONNOR	EIØCF	56	5
7 MHZ O.C. RX USING 74HC4066	FINBAR O'CONNOR	EIØCF	56	7
THE UNICEIVER			57	19
TEN TEC OMNI FOR QRP/QRO SWITCHING	MATTHIAS RAUHUT	DF20F	57	5
THE SUDDEN RECEIVER	COLIN TURNER	G3VTT	58	12
SWITCHED BANDPASS FILTERS	GEORGE DOBBS	G3RJV	58	16
FURTHER NOTES ON LINER TWO ON C.W.			59	7
IC735 MODS	BOB CARTER	G3VSO	60	17
1 KHZ LOW PASS FILTER FOR RECEIVERS	G.BENNET	G3DNF	60	18
THE SUDDEN RECEIVER GOES SMD	HA-JO BRANDT	DJ1ZB	61	24
THE WHITE ROSE RECEIVER			61	19
SUDDEN RECEIVER MODIFICATION	JOHN HEY	G3TDZ	61	3
THE FO-RECEIVER		VK2CWH	62	8
A QUALITY AUDIO AMPLIFIER FOR RECEIVERS	HA-JO BRANDT	DJ1ZB	62	6
QSK FOR THE HOWES CTX80	IAN KEYSER	G3ROO	63	28
THE NEW ARGONAUT II MODEL 535	BILL LEASK	G4CEO	63	25
Y27BH JUERGEN IN HIS SHACK			63	26
THE DYMAR 880 SERIES TWO METRES			64	22
AUDIO AMP FOR DC RECEIVERS	MIKE OSBOURNE	G3YGM	65	31
RECEIVER SLOW MOTION DRIVE	DAVID LIMMER		66	13
THE MALSOR KITS REVIEWED	ROY SMITH	G0IWU	66	15
DOUBLE CONVERSION RX	GUS TAYLOR	G8PG	66	28
5'MTR' AND AGC FOR ZN416	IAN MACPHERSON	GM3RXU	67	6
FULL QSK WITH THE RAI7	BILL MOONEY	G3VZU	68	15
HIGH PERFORMANCE DC RX	BOB LEASK	G4CEO	68	24
SSB/CW IF STRIP	MATHIAS VOLKERT	DF4SQ	68	18
AN 80 METRE PHASING RECEIVER ⓘ	DAVE LIMMER		68	11
DUAL BAND RECEIVER	JOHN YOUNG	G7BCJ	69	19
TRIO KENWOOD TRCVRS VARIABLE POWER MOD	STEVE HARLEY	G0FUW	69	10
NICKY'S TRF	ANDY STAFFORD	G4VPM	69	36
THE POTTENSTEIN RECEIVER	COLIN DAVIS	G3VMU	70	3
FREQUENCY JUMPING ON MIZUHO TRCVRS	Ha-Jo BRANDT	DJ1ZB	70	9
IC735 MODIFICATION	ROY KAVANAGH	GM4VKI	71	17
RX POSTSELECTION FOR CW	DR. GORDON BENNETT	G3DNF	71	15
THE G3TDZ PHASING RECEIVER	Ha-Jo BRANDT	DJ1ZB	71	19
A POLYPHASE RECEIVER	JOHN R. HEY	G3TDZ	71	3
NICKY TRF IMPROVEMENTS	JOHN R HEY	G3TDZ	72	18
PEBBLE CRUSHER MODIFICATIONS	DOUG GIBSON	G4RGN	72	16
THE CHEVIN 80MTR SUPERHET	TONY LYMER	GMØDHD	72	27
THE HERTZVERTER TOP BAND CONVERTER ⓘ	DAVID LIMMER	QRP 5668	72	10
AN UGLY ATTENUATOR RELAY SWITCHED	LES JACKSON	G4HZJ	72	28
CERAMIC RESONATORS IN RECEIVERS	ROY SMITH	GØIWU	73	20
A 14 MHz SUPERHET RECEIVER	IAN MACPHERSON	GM3RXU	73	8
A SIMPLE UNIVERSAL H F CONVERTER	FRANK LEE	G3YCC	74	14
A HIGH PERFORMANCE DIRECT CONVERSION RECEIVER	HARRY POPOV	LZ1BB	74	18
USING THE ICOM IC726 ON QRP	ROELOF BAKKER	PAØRDT	75	6
	DAVE ACKRILL	GØDJA	75	35

MORE CHATTERBOX MODIFICATIONS	IAN LISTON-SMITH	G4JQT	76	18
THE SUPER 40 RECEIVER	RICHARD COOK	G4XHE	76	22
EASY LF BANDS RECEIVER	PETER BRENT	G4LEG	77	26
THE MINICOM SUPERHET RECEIVER ⓘ	BASIL DALE	VK2AW	79	9
THE THREEFER	MIKE MICHAEL	W3TS	79	15
THE CONTESTER DC 40m	ROELOF BAKKER	PAØRDT	81	25
A MINIMUM COMPONENT PHASING RECEIVER FRONT END	RICK CAMPBELL	KK7B	82	14
THE HF9 TRF SHORT WAVE RECEIVER	KEITH RANGER	GØKJK	82	4
SIMPLER PRODUCT DETECTOR FOR THE CONTESTER	ROELOF BAKKER	PAØRDT	83	18
RECEIVER MUTING CIRCUIT	ROY LEWALLEN	W7EL	84	27
THE SILVER TERN RECEIVER REVISITED	MARTYN LINDARS		84	12
ADD ON RF AMPLIFIER FOR HF9 RECEIVER	KEITH RANGER	GØKJK	85	13
MODIFICATIONS TO THE EPIPHYTE-2 TRANSCEIVER	DERRY SPITTLE	VE7QK	86	13
NORCAL 40 MODS AND ADDITIONS	BERNHARD SZYMANIAK	DL7GK	86	18
THE PINK RECEIVER	K.P.S. KANG	VU2KLA	86	5
THE PIXIE 2 AN UPDATE		WA6BOY	86	33
USING THE FT990 ON QRP	RICK KERR	KA8EGS	86	23
EPIPHYTE-2 UPDATE ELIMINATING GROUND LOOPS	DERRY SPITTLE	VE7QK	87	14
UNIVERSAL QRP TX MOD	GERALD	G3MCK	87	35
EPIPHYTE-2 UPDATE	DERRY SPITTLE	VE7QK	88	22
THE PIXIE GOES ON	DERRICK WEBBER	G3LHJ	88	14
A DESIGN FOR A HIGH PERFORMANCE RECEIVER	DAVID OLIVER	G4HMC	90	15
80M ONE CHIP RECEIVER	DON BREEN	G0FQI	92	26
A DIRECT CONVERSION RECEIVER FOR BEGINNERS	JOHNNY APELL	SM7UCZ	92	20
EXPERIMENTAL DIGITAL CW TRANSMITTERS FOR 80M	JACK PONTON	GM0RWU	92	4
ROCK's EASY THREE RECEIVER	C.F.ROCKEY	W9SCH	92	3
A BALANCED DIRECT CONVERSION RECEIVER FOR 80/40/20	BILL CURRIE	VK3AWC	93	10
THE BANDBREAKER 40M SUPERHET RECEIVER ⓘ	ARON SANDERSTROM	HE9VXB	94	16
THE GREMLINMATE 40M RECEIVER	RUDOLF BURSE	DK2RS	94	15
IMPROVEMENTS TO THE GREMLINMATE RECIEVER	R. BURSE	DK2RS	95	31
A NEW DIRECT CONVERSION RECEIVER	OLIVIER ERNST	F5LVG	97	14
THE MB4 PORTABLE SW RECEIVER	KEITH RANGER	G0KJK	97	8
A CMOS SWITCHED 80M SUPERHET	ARON SANDERSTROM	HE9VXB	99	14
A TELESCOPIC ANTENNA DX RECEIVER	KEITH RANGER	G0KJK	100	20
AUDIO OUTPUT STAGE FOR RECEIVER	BILL CURRIE	VK3AWC	100	19
THE RX-20 RECEIVER	OLIVIER ERNST	F5LVG	100	10
7-14-21 MHZ DIRECT CONVERSION RECEIVER	IGOR GRIGOROW	RK3ZK	101	6
THE EAGLET 80M RECEIVER	FRANK LEE	G3YCC	101	3
THE QRP2001: AN EXPERIMENTAL DC RECEIVER	JAN VERDUYN	G0BBL	101	19
The ILOVA 2B - SIMPLE TWO BAND RECEIVER	MILAN CATARI	9A9RA	102	3
160M AM RECEIVER	GEORGE FARE/DUNCAN WALTERS	G3OGQ/G4DFV	102	10
AN INEXPENSIVE FILTER AND I.F. AMPLIFIER	DAVID STOCKTON	GM4ZNX	102	22
CRYSTAL SET	STEVE ORTMAYER	G4RAW	102	32
THE F6CRP RECEIVER	DENIS AUQEBON	F6CRP	103	4
LOOP REGENERATIVE RECEIVER	OLIVIER ERNST	F5LVG	103	12
LF RECEIVE CONVERTER	IAN BUTTERWORTH	G4BZO	103	16
INCREASING BANDSPREAD WITH VARACTOR TUNING	DEREK ALEXANDER	G4GVM	104	14

SMID-GEN CW/SSB RECEIVER	JOHN SMITH	G4KJJ	105	3
ON5SJ 40m SUPERHET RECEIVER	JEAN-CLAUDE SATEUR	ON5SJ	105	15
A STABLE REGEN RECIEVER [WITH CLUB KIT]	GEORGE DOBBS	G3RJV	105	21
A SINGLE CRYSTAL CW FILTER	IAN BRAITHWAITE	G4COL	106	6
ONER RECEIVE CONVERSION	OLEG V. BORODIN,	RV3GM	107	14
A TUNEABLE CW / SSB FILTER ⓘ	DANIELA VIGNUDELLI	IK4NPC	107	25
A HANG AGC CIRCUIT FOR CW RECEPTION	ANDREW SMITH	G4OEP	109	22
VARIABLE BANDWIDTH CRYSTAL FILTER	TASIC SINISA-TASA	YU1LM	109	24
THE WURZEL 20/40/80m REGEN RX	TIM WALFORD	G3PCJ	110	8
TWP-TUBE REGENERATIVE RECEIVER FOR LOW VOLTAGE OPERATION	RUDOLF SEIBERT	DC8KP	111	6
THE HIBRYDUS SYNCRODYNE RECEIVER FOR 14MHZ	GIANPIETRO GOZZI	IK2VTU	111	12
THE HEYPHONE	JOHN HEY	G3TDZ	111	21
MY FIRST QRP STATION	OLEG BORODIN	RV3GM	112	4
THE MB7LF 136Khz REMOTE RECEIVER PROJECT	STEWART BRYANT	G3YSX	112	16
THE SARDINE SUPERGAINER FOR 40M	DUNCAN WALTERS	G4DFV	112	21
LAMBDA REGENERATIVE RECEIVER ⓘ	BOZIDAR PASARIC	9A2HL	113	16
A THREE CHIP SUPERHET RECEIVER FOR 80 & 40	BILL CURRIE	VK3AWC	116	10
THE TOFF SIMPLE SUPERHET RECEIVER	KPS KANG	VU2OWF	116	12
THE SHERBORNE SURPRISE - A SIMPLE SUPERHET RECEIVER FOR 160/80/40	GARY ANDREWS	M0CWY	117	4
THE FORTYHET - A SIMPLE SUPERHET FOR 40M	DUNCAN WALTERS	G4DFV	117	8
THE "BRUTE FORCE" RECEIVER FOR 160M	PAT SMITH	GW0VMR	117	10
THE CP20 14MHZ CW RECEIVER	TONY BOWMAKER	G0EBP	117	18
THE CERES RECEIVERS	IAN MACPHERSON	GM3RXU	118	3
THE "MICRO-SCOPE" 20M DC RX	OLEG V BORODIN	RV3GM	118	20
THE MARSH RECEIVER	GEOFF WOOSTER	G3YVF	119	9
AN 0-V-0 RECEIVER	GERT DE GOOIJER	PA3CRC	119	10
RECEIVER TO PC AUDIO COUPLER	LAURIE BOOTH	G4XEC	119	27

Transceiver Topics

Title	Author	Callsign	Sprat	Page
80 m QRP TRANSCEIVER	KEITH COATES	G3IGU	3	4
ONE TUBE AMATEUR STATION COMPLETE	C.ROCKEY	W9SCH	7	6
40-20m TRANSCEIVER	KEITH COATES	G3IGU	18	4
EBOR 3.5 MHZ TRANSCEIVER	NORMAN SPIVEY	G3GWI	19	15
HF TRANSCEIVER	JOHN McDONNEL	G3DOP	20	5
JU6 7-14 MHZ TRANSCEIVER ⓘ	JOHN McDONNEL	G3DOP	20	5
CW TRANSCEIVER FOR 20	FRANK LEE	G3YCC	21	3
MINATURE 40m PORTABLE TRANSCEIVER	ROY LEWALLEN	W7EL	24	7
TUNBRIDGE SSB/CW TRANSCEIVER	IAN KEYSER	G3ROO	26	3
JU6 PLUS	JOHN McDONNEL	G3DOP	27	10
TMX TRANSCEIVER FOR 10 MHZ	THOM DAVIS	K8IF	29	5
SNOWSHOE MOUNTAINEER 7 MHZ TRANSCEIVER	WES HEYWARD	W7ZOI	30	12
10 MHZ TRANSCEIVER	KEITH COATES	G3IGU	31	11
QRP-4 TRANSCEIVER	JOHN SMITH	SM6DWO	31	3
SUPER OXO ALL BANDS TRANSCEIVER	GEORGE BURT	GM3OXX	32	12
TOT 20 TRANSCEIVER	PETER DOUDERA	OK1DKW	32	14
TRANSCEIVER IDEAS	GIG DRAGULESCU	YO6HQ	32	7
20/20 TRANSCEIVER	PETER DODD	G3LDO	33	6

TOT 30 TRANSCEIVER	PETER DUODERA	OK1DKW	34	12
TWINNYSET TRANSCEIVER	HA-JO BRANDT	DJ1ZB	34	9
FOXX TRANSCEIVER	GEORGE BURT	GM3OXX	35	13
FORCE THREE 7 MHZ TRANSCEIVER	FINBAR 'O'CONNOR	EIØCF	36	3
LIAM 10 MHZ TRANSCEIVER	HA-JO BRANDT	DJ1ZB	36	12
PW DART AS A TRANSCEIVER	RON MARSHALL	G4GIQ	40	16
ALL WEATHER (NOVELTY) SIGNALLER	S.GARNER	G3WSL	42	17
DC-30-P TRANSCEIVER	JOHN BEECH	G8SEQ	42	4
TSC MK.I 40m QRP SUITCASE TRANSCEIVER	MIKE MICHAEL	W3TS	42	9
004 TRANSCEIVER	JOHN McDONNEL	G3DOP	43	11
MICRON 6 BAND TRANCEIVER KIT	GEORGE DOBBS	G3RJV	43	17
TRANSCEIVER FOR 80m	FRANK LEE	G3YCC	43	3
160m DSB TRANSCEIVER	DEREK EDMUNDS	G3MJW	44	3
RIT FOR THE DSB80 TRANSCEIVER	ROD YOUNG	G4MQH	44	18
TSC MK.II TRANSCEIVER	MIKE MICHAEL	W3TS	44	8
PHOENIX TRANSCEIVER	CARL WOOD	G4XOG	45	8
ROCK'S FISHING BOX ⓘ	C.ROCKEY	W9SCH	46	8
TRANSCEIVER FOR 7/14/21 MHZ	ARTHUR PARSONS	G2PS	47	4
QSK-1 ONE TRANSISTOR TRANSCEIVER	BOB CULTER	N7FKI	49	18
SUPERHET TRANSCEIVER FOR 20m	NINO PAGLIALONGA	I7ZCZ	49	13
50 MHZ ALL MODE TRANSCEIVER	JOHN BEECH	G3SEQ	50	36
50 MHZ CW/RTTY TRANSCEIVER	JOHN BEECH	G3SEQ	50	36
50 MHZ D.C. TRANSCEIVER	BOB CARTER	G4VSO	50	6
ARGONAUT MILLIWATTING AND MICROWATTS	CHRIS PAGE	G4BUE	50	30
THE TOP 40 TRANSCEIVER	MIGUEL MOLINA	EA3FHC	50	10
THE VOXNOR	PAUL HARRISON	G4VAM	50	21
NOTES ON CENTURY 22 SET UP FOR SPRAT	COLIN TURNER	G3VTT	51	23
80m TRANSCEIVER	MIKE KING	G3MY	53	6
BOOTS FOR THE UNICHIP TRANSCEIVER	MIKE KING	G3MY	53	7
THE G3XBM 'PIPIT' 21 MHZ TRANSCEIVER	ROGER LAPHORN	G3XBM	53	12
THE 'IMP' 'ALL BANDS TRANSCEIVER	NIGEL FLATMAN	GØEBQ	53	8
ALPHA 80m. C.W. TRANSCEIVER		GØFUW	54	6
BOOTS FOR THE UNICHIP	MIKE KING	G3MY	54	11
THE UNICHIP	MIKE KING	G3MY	54	10
NOTES ON THE IMP		GØEBQ	55	5
14 MHZ TRANSCEIVER	MIGUEL MOLINA	EA3FHC	56	12
I.R.T. REVERSAL	GEORGE BURT	GM3OXX	58	23
14 MHZ COMPACT TRANSCEIVER	BILL BINGHAM	G4WUS	59	4
LCK UPDATE AND MODIFICATIONS	IAN KEYSER	G3ROO	61	27
THE 70 MHZ SINGLE CHANNEL FM TRANSCEIVER	JOHN BEECH	G8SEQ	61	28
A STABLE SSB AND CW IF STRIP	IAN KEYSER	G3ROO	62	29
QRP TRANSCEIVER FOR 40m	RICHARD	WBONQM	62	25
THE SSB TRANSCEIVER PROJECT	IAN KEYSER	G3ROO	62	28
SSB PROJECT RF BOARD	IAN KEYSER	G3ROO	64	29
BOPP 6 40m TRANSCEIVER	MIKE KING	G3MY	65	15
CW TRANSCEIVER FOR 7 MHZ	FRANK LEE	G3YCC	65	4
SSB PROJECT	IAN KEYSER	G3ROO	65	32
THE KITTEN TWO TRANSCEIVER	IAN KEYSER	G3ROO	65	32
CSP 14 MHZ TRANSCEIVER	IAN KEYSER	G3ROO	66	21
THE G3ROO CW/SSB PROJECT	IAN KEYSER	G3ROO	66	24
QRP CW FROM AN SSB TRANSMITTER	WALTER FARRAR	G3ESP	67	5
CSP PA BOARD	G3ROO	G3RJV	68	25
CONSTRUCTION THE KITTEN II BOARDS	IAN KEYSER	G3ROO	69	27
KITTEN PCB CONNECTION UPDATES	IAN KEYSER	G3ROO	69	27
THE OSTS 40MTR TRANSCEIVER	SIMON BALDWIN	GØFRD	69	14
A TWO BAND TRANSCEIVER	IGOR GRIGOROW	UZ3ZK	70	14
KITTEN SYNTH	IAN KEYSER	G3ROO	70	20
KITTEN DIODE SWITCHED RF BOARD	IAN KEYSER	G3ROO	71	21

KITTEN SYNTH VARICAP UPDATE	IAN KEYSER	G3ROO	71	21
TWO BAND TRANSCEIVER SPRAT 70 MODS			71	19
KITTEN II MULTIBAND LOW PASS FILTER	IAN KEYSER	G3ROO	72	22
THE MICRO-80 MINI TRANSCEIVER	OLEG BORODIN	RV3GM	72	20
A POLYPHASE EXCITER	JOHN R. HEY	G3TDZ	73	3
A SOLAR POWERED 40M TRANSCEIVER	H.C.S SPENCER	G6NA	73	6
THE TARS SPECIAL	DERRICK G3LHJ ANDY	G4VPM	73	12
ULTIMATE K.I.S.S.	CHRIS GARLAND	G3RJT	73	4
MULTI-BAND VALVE 10w QSK TRANSCEIVER	IGOR GRIGOROW	UZ3ZK	74	8
MODIFICATIONS TO THE MFJ 9020 TRANSCEIVER	GEORGES SCHOLTES	LX1BK	75	13
THE B1000 TRANSCEIVER	IGOR GRIGOROW	UZ3ZK	77	12
THE HEART OF THE FROGGY	OLEG BORODIN	RV3GM	77	18
THE MALTA 40	STEVE HUNT	G3TXQ	78	21
THE MFJ-249 HF/VHF SWR ANALYZER - A REVIEW	GEORGE DOBBS	G3RJV	78	26
7 MHZ QSK QRP CW TRANSCEIVER	JAROSLAV BIK	OK2SBJ	79	14
A VALVE TRANSMITTER AND RECEIVER FOR 80m	JOHNNY APELL	SM7UCZ	79	18
THE NORCAL 40 TRANSCEIVER	WAYNE BURDICK	N6KR	79	3
THE ANV 20SSB/CW TRANSCEIVER	SHELDON HANDS	GW8ELR	80	3
THE B.L.T. 14 MHZ SSB TRANSCEIVER (PART 1)	BYRON WEAVER	WU2J	80	11
THE CUB MULTIBAND CW TRANSCEIVER MK II	STEVE HUNT	G3TXQ	80	21
THE B.L.T. 20/17m SSB EXCITER (PART 2)	BYRON WEAVER	WU2J	81	13
THE EPIPHYTE - SIMPLE QRP SSB TRANSCEIVER	DERRY SPITTLE	VE7QK	81	3
AN 80m CW VALVE TRANSCEIVER	IGOR GRIGOW	RK3ZK	82	23
T2/R2 QRP SSB TRANSCEIVERS	JOHN LIEBENROD	K7RO	82	8
THE RAT	DEREK BUNDEY	G3JQQ	82	24
THE GQ-40 CW TRANSCEIVER			83	4
THE ZL2BMI DSB TRANSCEIVER ⓘ	ERIC SEARS	ZL2BMI	83	12
THE DIGIRIG 7mhz TRANSCEIVER	K.P.S. KANG	VU2KLA	84	10
CONVERSION OF LCK FOR 20M	DAVID ROWLANDS	G6UEB	85	12
EP-2 PORTABLE 75M SSB TRANSCEIVER	DERRY SPITTLE	VE7QK	85	4
THE PA3BHK 80m DSB/CW TRANSCEIVER	ROBERT VAN DER ZAAL	PA3BHK	85	19
THE ROCK CRUSHER	JOHN HEY	G3TDZ	85	14
THE OPTIMISER QSK K.I.S.S. TRANSCEIVER	TONY BOWMAKER	GØEBP	86	6
THE G3TDZ 73kHz RIG	JOHN R. HEY	G3TDZ	88	3
THE VU MINI-TRANSMITTER (TRANSCEIVER) FOR 20m	K.P.S. KANG	VU2KLA	88	12
MY VERSION OF THE PIXIE	DOUG DEMAUW	W1FB	89	7
73 KHZ VERY LOW FREQUENCY TRANSMITTER - RECEIVER	JOHN BEECH	G8SEQ	90	9
THE ALVA - A SWEDISH PIXIE	JOHNNY APELL	SM7UCZ	90	20
THE GQ2000 CW TRANSCEIVER - PART 1	SHELDON HANDS	GW8ELR	90	4
A SIMPLE SSB TRANSCEIVER FOR 18 MHZ	OLIVIER ERNST	F5LVG	91	13
THE FOXX 2 - AN OLD FAVOURITE	GEORGE DOBBS	G3RJV	91	4
THE GQ2000 CW TRANSCEIVER - PART 2	SHELDON HANDS	GW8ELR	91	20
THE REVIVAL [1947 - 1997] TRANSMITTER RECEIVER	PETER AKKER	DJ0GD	91	23
THE GQ2000 CW TRANSCEIVER - PART 3	SHELDON HANDS	GW8ELR	92	13
THE GQ2000 CW TRANSCEIVER - PART 4	SHELDON HANDS	GW8ELR	93	20
THE MAIDENHEAD PIXIE	PETER HOWARD	G4UMB	93	8
THE ELBC-40 : A KEYSER CONTROLLED CW TRX	FRED HEUSY	DJ3KK	94	3
THE SUNSET TRANSCEIVER MK2	STEVE SPENCER	G6NA	94	22
A SIMPLE 21MHZ VXO QRP TRANSCEIVER	CRAIG DOUGLAS	G0HDJ	95	14
THE ELBC-40 : RECEIVER MODULE	FRED HEUSY	DJ3KK	95	21
THE G3RJV SIX PACK	GEORGE DOBBS	G3RJV	96	4
THE SPARKFORD 80m CW TRANSCEIVER	TIM WALFORD	G3PCJ	96	21
PTO DRIVES IN TEN-TEC TRANSCEIVERS	BRIAN GIBBS	G3MBN	97	16
I7PKY PIXIE 2		I7PKY	98	35
OK2PZL 7/14 MHZ TRANSCEIVER ⓘ	PETR POKORNY	OK2PZL	98	4
THE FOXX-3	DEREK ALEXANDER	G4GVM	98	14
THE GQ-PLUS - PART 1	SHELDON HANDS	GW8ELR	98	20

160M CROSS TOWN TRANSMITTER	ALBERT HEYES	G3ZHE	99	4
THE GQ-PLUS - PART 2	SHELDON HANDS	GW8ELR	99	21
"Naxos" A MINIATURE 20M CW TRANCIEVER	ANDREAS SEEREINER	OE6EIF	104	4
NATTERBOX - A CRYSTAL CONTROLLED AM Tx. ⓘ	DAVE SMITH	G4COE	104	18
THE HAMOEBA	DUNCAN WALTERS	G4DFV	105	4
The CRACKER – A BASIC CW TX/RX FOR 40M	RICHARD NEWSTEAD	G3CWI	106	3
DAT20, A 20M MINI TX/RX FOR SOUND CARD MODES	SHELDON HANDS	MW0ELR	106	21
AN EXPERIMENTAL TRANCEIVER "ET1"	GLEN YINGLING	W2UW	108	20
THE SUPER SIXTY 5MHZ Tx and Rx CONVERTER	STEVE RAWLINGS	GW4ALG	114	3
USING THE ELECRAFT K2 ON 5MHZ – PART 1	DAVE SERGEANT	G3YMC	114	6
THE SMALL WONDER LABS PSK20	PETER HALPIN	PE1MHO/ M3ECN	114	14
USING THE ELECRAFT K2 ON 5MHZ – PART 2	DAVE SERGEANT	G3YMC	115	10
FOXX DUAL BAND SPECIAL	JIM GAUSON	MM0CAE	115	12
A NEW LIFE FOR THE TS-870S	ANDREA WEICK	HB9FBD	115	24

V.H.F. Topics

Title	Author	Callsign	Sprat	Page
2 METRE 3W AM TRANSMITTER	JOHN DODD	G8EPE	5	5
2 ELEMENT 2 METRE BEAM	STAN PERCIVAL	G3BGR	12	10
2 METRE FM TRANSMITTER	HA-JO BRANDT	DJ1ZB	24	3
144-14 MHZ CONVERTER - PART I	DAVID JOHNSON	G4DHF	26	12
144-14 MHz CONVERTER - PART II ⓘ	DAVID JOHNSON	G4DHF	27	5
3 ELEMENT HB9CV BEAM	A.MORGAN	G8PON	29	22
5 ELEMENT QUAD FOR 2 METRES	JOHN STEVENSON	G8ZRY	32	8
2 METRE POCKET ZEPP ANTENNA	HERBERT HANRIDER	DL7MAM	33	4
50 MHZ FM TRX	MIKE SHEFFIELD	ZL1ABS	36	20
MINATURE 2m FM TRANSMITTER	MIKE TOOLEY	G8CKT	36	16
2 METRE PORTABLE ANTENNA	JOHN BEECH	G8SEQ	37	18
2 METRE WAVEMETER	GEOFF GARDNER	G6MCZ	37	17
2 METRE J ANTENNA	D.JENNINGS	G3ZAI	41	17
SIMPLE 2 METRE CW/FM TRANSMITTER	JOHN BEECH	G8SEQ	42	22
2 METRE DC RECEIVER	JOHN BEECH	G8SEQ	43	24
2 METRE FET PRE - AMP	JOHN BEECH	G8SEQ	44	24
2 METRE PRE - AMP	JOHN BEECH	G8SEQ	45	24
USING A LINER 2 ON CW	ERIC CALVERT	G4EIC	45	17
50 MHZ RX CONVERTER	JOHN BEECH	G8SEQ	46	20
DUMMY LOAD AND POWER INDICATOR	JOHN BEECH	G8SEQ	47	23
2 METRE ATU	DAVID AKRILL	GØDJA	49	23
WHITE ROSE 50 MHZ (6m) CONVERTER PROJECT			53	25
XOGGY A 14 MHZ TTX	BRIAN HARRIS	G3XGY	53	22
ONE WATT VHF TRANSMITTER	GORDON POPE	G3ASV	55	4
VHF/HF POWER METER	HARRY POPOFF	LZ1BB	55	26
50 MHZ TRANSVERTER [WHITE ROSE]	JOHN BEECH	G8SEQ	57	24
FET VFO FOR 70 MHZ	JOHN BEECH	G8SEQ	58	26
70 MHZ SINGLE CHANNEL PM TRANSCEIVER	JOHN BEECH	G8SEQ	60	25
2M AMPLIFIER	HARRY POPOV	LZ1BB	62	33
SEQUENCE 70 MHZ TCVR ON 2M OR 6M			63	36
VFO STABILISER	JOHN BEECH	G8SEQ	66	34
SEQUENCE TRANSCEIVER PUSH TO TALK	JOHN BEECH	G8SEQ	67	34
DOUBLE QUAD FOR 1.3 & 2..3 GHz	JOHN BEECH	G8SEQ	76	36
2 METER ATU			77	36
BI-DIRECTIONAL AMPLIFIER			79	34
6m TO 2m TRANSVERTER	JOHN BEECH	G8SEQ	85	34

PL259's AT VHF	PETER CHADWICK	G3RZP	85	10
LINEAR POWER MIXERS AT SHF			88	34
LINEAR POWER MIXERS AT SHF			89	33
A VHF ABSORPTION WAVEMETER	HARRY FROGGATT	G3SOX	90	19
THE EPIPHYTE-3	DERRY SPITTLE	VE7QK	107	21

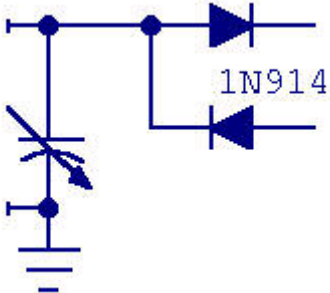
Transmitter Topics

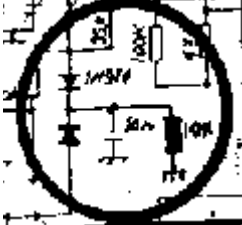
Title	Author	Callsign	Sprat	Page
DSB1 - DOUBLE SIDEBAND TRANSMITTER	E.ELSLEY	G3YUQ	4	3
PROLEGOMENA TO QRP TRANSMITTERS ⓘ	C.ROCKEY	W9SCH	4	9
TRANSISTOR 1 160m TRANSMITTER	E.ELSLEY	G3YUQ	5	15
ROARIN MICK 80m TRANSMITTER	C.ROCKEY	W9SCH	6	15
DAILY TELEGRAF QRP CW TRANSMITTER	SEIGI HARI	DK9FN	8	8
SSB 80 TRANSMITTER	E.ELSLEY	G3YUQ	9	3
TTL TRANSMITTERS	JOHN McDONNELL	G3DOP	10	10
A WATT PLUS ON 160	C.CARINGELLA		11	10
6K8 QRP TRANSMITTER	DUG WOODFORD	G8IB	12	10
MODS TO THE G3ZVC TRANSMITTER	IAN KEYSER	G3ROO	12	8
JUBILEE 80 SSB/CW TRANSMITTER	ART SMYTH	GM3XNE	14	7
MALIN HEAD TTX	FINBAR O'CONNOR	EIOCF	16	6
ONE KNOB 80m TTX	HAROLD SMITH	G3IVF	17	7
80 -160m TRANSVERTER	IAN KEYSER	G3ROO	19	13
PROLEGOMENA TO QRP TRANSMITTERS	C.ROCKEY	W9SCH	22	3
LAGOS QRPETER	HA-JO BRANDT	DJ1ZB	23	3
MINI TENER DSB TRANSMITTER FOR 10m	ART SMYTH	GM3XNE	23	12
FULL BK TOP BAND TRANSMITTER	IAN KEYSER	G3ROO	25	6
MAC MODED SUPER OXO TRANSMITTER			25	20
CLASS A AMPLIFIER FOR THE TUNBRIDGE	IAN KEYSER	G3ROO	27	12
10m VXO TRANSMITTER	BENELUX QRP CLUB		28	9
160m MAIN STATION TRANSMITTER	ROY ROWNTREE	G3ZQA	28	3
BREN 160m DSB/CW TRANSMITTER	COLIN TURNER	G3VTT	28	7
OXO ALL BANDS TRANSMITTER	GEORGE BURT	GM3OXX	28	12
80m TRANSMITTER BASED ON THE JU6	PETER BRENT	G4LEG	29	15
SINGLE VALVE 80m QRP CW TRANSMITTER	BRIAN BOOTH	G3SYC	29	3
SANTISTA TRANSMITTER	PAULO MOSER	PY2TU	30	7
10 MHZ VXO TRANSMITTER	HA-JO BRANDT	DJ1ZB	31	9
BASIC VXO FOR 3.5 MHZ	AL SANTUCCI	IOSKK	32	11
18/24 MHZ VERSION OF THE LAGOS QRPETER	HA-JO BRANDT	DJ1ZB	33	8
40m TTL QRP TRANSMITTER	JOSEPH LAURICELLA	KL7JHM	33	15
WEE RIG	GEORGE BURT	GM3OXX	33	4
PHOENIX CW QRP TRANSMITTER		PAØFKP	34	14
REVERSE HYBRID 40m QRP TRANSMITTER	MAC McNEIL	G3FCK	35	15
STX TRANSMITTER	GEORGE BURT	GM3OXX	35	12
GRILO 3 BANDS TRANSMITTER ⓘ	CARLOS	PY2FNE	38	8
VINTAGE VALVE TRANSMITTERS	ALAN LAKE	G4DVW	39	11
40m MINI TTX TRANSMITTER	LEONARDO BOSELLI	I5WOU	40	15
NOR'S 20m TRANSMITTER	NOR McINTISH	GM3RKO	40	18
2 BAMNDS CW QRP TRANSMITTER	DREW DIAMOND	VK3XU	41	10
PICCOLINO TRANSMITTER	HA-JO BRANDT	DJ1ZB	42	7
80m VMOS TRANSMITTER	PAUL HARRISON	G4VAM	43	18
ONE VALUE 3 BANDS QRP TRANSMITTER	H.ACOMB	GM4CCV	44	10
FAG BOX (0) TRANSMITTER	CHRIS PAGE	G4BUE	45	11
ONER TRANSMITTER	GEORGE BURT	GM3OXX	45	4
HOWES CTX80 KIT	COLIN TURNER	G3VTT	47	18

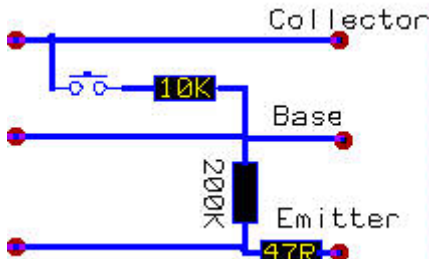
QRP 2 WATT TRANSMITTER ⓘ	R.MACKRELL	G3AEP	48	17
SSB TRANSMITTER FOR 14 MHZ	FRANK LEE	G3YCC	48	3
160m TRANSMITTER	PAUL HARRISON	G4VAM	49	6
80m TRANSMITTER	GORDON POPE	G3ASV	49	16
THE DSB-1 ONE WATT 80MTR DSB TX		VE7QK	50	3
PANN, SMLL TRANSISTORS FOR QRP RF POWER	DOUG DEMAUW	W1FB	51	11
PHOTO & FOIL PATERN QRP80			51	15
QRP TTL TRANSMITTERS		DL1ZB	51	8
THE QRP 80 - A3.5 MHZ 2.5 WATTS CW TX			51	13
A VXO DESIGN FOR 10 AND 14 MHZ	KEN MAXTED	GM4JMU	52	16
PACKING THE UNIVERSAL TRANSMITTER ⓘ	CYRIL MAY	G4PUU	52	14
10 MHZ, 1.5 WTT OUTPUT TRANSMITTER		ON4KAR	55	15
80m 1W TX 3.5 - 3.7 MHZ	CRAIG DOUGLASS	GØHDJ	55	12
CAR BOOT SALE SPECIAL	PAUL HARRISON	G4VAM	55	11
TTL TRANSMITTER FOR 80 METRES	DEREK SCHOFIELD	G4UOV	55	17
OXO BOTTLE BOOSTER	PAUL HARRISON	G4VAM	56	16
THE THREEFOR TRANSMITTER	PAUL MONEY	G4UVA	56	15
ALL BAND VXO TRANSMITTER	JOHN T COLLINS	KN1H	58	9
BROADBAND AMPLIFIER	W.J.RICKETT	G8LOO	59	21
OXO TX	GEORGE BURT	GM3OXX	59	7
40 METRE TRANSMITTER	PAUL HARRISON	G4VAM	60	19
PIPPIN QRP TX	MIKE KING	G3MY	60	14
USEFUL HINT FOPR VMOS. PA STAGES	MIKE KING	G3MY	60	19
VANDALS VALVE TX		GM4BQA	61	16
40m SSB GENERATOR	TONY EDWARDS	G3HNP	62	4
THE G4RAW TAG TRANSMITTER		G4RAW	62	13
28 MHZ QRP TRANSMITTER	DAMIR SIMUNIC	YU2RK	63	7
40m VARICAP DIODE VFO	BILL BINGHAM	G4WUS	63	14
10 MHZ TAG TRANSMITTER	STEVE ORTMAYER	G4RAW	64	19
FO TRANSMITTERS	HA-JO BRANDT	DJ1ZB	64	7
SIMPLE 40m ONER TRANSCEIVER	OLEG BORODIN	RV3GM	64	12
TOP BAND CW TRANSMITTER	TONY EDWARDS	G3HNP	64	15
HUFF AND PUFF AUTO START	STEF MIEWIADOMSKI		66	18
KITTEN TWO SSB AND CW FILTER	IAN KEYSER	G3ROO	66	20
PEBBLE CRUSHER 2	DOUG DEMAUW	W1FB	66	10
THE WHITE ROSE TRANSMITTER	JOHN R HEY	G3TDZ	66	3
COMPUTER BOARD 80m TRANSMITTER	STEVE ORTEMAYER	G4RAW	67	3
QRP LINEAR	BILL MOONEY	G3VZU	67	12
VALVE DC RECEIVER FOR 3.5 MHZ BAND	B.A. BUTCHER	GØILL	67	9
CONSTANT LEVEL RF AMPLIFIER	MIKE HADLEY	G4TTX	68	5
FURTHER NOTES ON VFO STABILITY	DAVE BENSON	NNIG	68	6
THE FINGER TX. A FUN RIG	GEORGE BURT	GM3OXX	69	3
THE LZ1SM VXO TRANSMITTER	ANGEL	LZ1SM	70	8
THE K4TWJ QRP PEN TRANSMITTER	DAVE INGRAM	K4TWJ	71	14
THE NAT TRANSMITTER ⓘ	GEORGE BURT	GM3OXX	71	11
THE NAT TX SPRAT 71 CIRCUIT ERROR			72	16
THE PHOENIX TRANSMITTER	D.A. MICHAEL	W3TS	72	4
CHATTERBOX 160m A M TRANSMITTER MODIFICATIONS	LES JACKSON	G4HZJ	74	19
HANDS TX1 TRANSMITTER	SHELDON HANDS		75	20
W6EMT 30M VXO TRANSMITTER	ROY GREGSON	W6EMT	78	4
THE SUNNY 40m TRANSMITTER	COOK	G4XHE	79	20
ST31 14 MHZ 10w CW TRANSMITTER	ANDRE MASSLEYE	F5JDG	80	14
A 30m QRP CW TRANSMITTER	A W McNEILL	G3FCK	82	27
A MONGREL MODIFIED FOR PI-NETWORK OUTPUT	A W McNEILL	G3FCK	82	7
TEN MINUTE TRANSMITTER	STEVE ORTMAYER	G4RAW	82	36
THE GREMLIN 20m CW TRANSMITTER	DOUG GIBSON	G4RGN	82	3
THE KLAT 40m TRANSMITTER	KERAL L	VU2KLA	82	17
THE MONGREL QRP CW TRANSMITTER	KEITH RANGER	GØKJK	82	6

G3BMO ONE VALVE TRANSMITTER	BERT SPEED	G3BMO	83	25
THE POPPET QRP AM TOP BAND TRANSMITTER	DOUG GIBSON	G4RGN	84	4
THE FROTH 10 MHZ 1 WATT TRANSMITTER	OWEN DAVIES	G4VPF	86	21
SIMPLE COMMON PARTS 80m TRANSMITTER	T.K. MANI	VU2ITI	87	24
THE NORWICH TRANSMITTER	BRUCE EDWARDS	G3WCE	88	16
THE NORWICH TRANSMITTER UPDATES	BRUCE EDWARDS	G3WCE	89	14
THE SEASIDER 2 METRE CW TRANSMITTER	BILL COOPER	G4CIA	92	17
A VALVE TRANSMITTER FOR 80 AND 40 METRES	TONY TUIITE	GW0NSR	94	24
TINY TOP 160M TX	STEVE ORTMAYER	G4RAW	96	34
18MHZ WIDE RANGE CRYSTAL TRANSMITTER	A.W. McNEILL	G3FCK	97	20
THE JBS TRANSMITTER	GEORGE BURT	GM3OXX	97	3
70 MHz BEACON TX.	JOHN BEECH	G8SEQ	102	34
THE HB9BWWY TRANSMITTER	NORBURT LITZ	HB9BWWY	103	24
MIGHTY MITE		W3FQJ/KY8I	105	35
THE DL93 TRANSMITTER	JOHNNY APELL	SM7UCZ	106	12
THE MARATHON 136 kHz QRP TRANSMITTER	STEVE RAWLINGS	GW4ALG	108	12
VK7LF's 160m QRP TRANSMITTER	TOM VAN ANDEL	VK7LF	108	26
A WATT ON 10 METRES – A SIMPLE RIG	REV KEITH RANGER	G0KJK	111	7
A SIMPLE CW TRANSMITTER	MILAN CATARI	9A9RA	112	8
THE FRESCO TRANSMITTER	KPS KANG	VU2OWF	112	12
THE PP2 TRANSMITTER ⓘ	GEORGE BURT	GM3OXX	112	18
OUR VERY OWN QRP BEACON	VICTOR BRAND	G3JNB	112	25
A SIMPLE MODULAR DSB TX	JACK PONTON	GM0RWU	113	10
12BH7A PULL-PULL TRANSMITTER FOR 30/40m	HEHIKO KOMACHI	JA9MAT	114	12
THE MARV-1 TRANSMITTER	GEORGE BURT	GM3OXX	115	5
QRP LINEAR AMPLIFIER USING CHEAP TRANSISTORS	HEHIKO KOMACHI	JA9MAT	115	19
THE G3SYC BATTERY VALVE TRANSMITTER	BRIAN BOOTH	G3SYC	116	7
17 METRES QRP CW TRANSMITTER	LEON HELLER	G1HSM	116	18
THE SIX SOCKETS GEM	ARNIE CORO	CO2KK	117	14
A 3.5MHZ QRP TRANSMITTER WITH LINEAR AMPLIFIER	JOHNNY ASPELL	SM7UCZ	118	10
COMPLIMENTARY PAIR PUSH-PULL RF POWER AMPLIFIER	STEF NIEWIADOMSKI		118	12
DIRECT CONVERSION WITH LED PRODUCT DETECTOR	RUDI BURSE	DK2RS	118	15
VIKING-500 POCKET (CW) TRANSMITTER FOR 10MHZ	REYNOLD-A. KUNG	HB9CKR	118	22
THE MARSH TRANSMITTER	GEOFF WOOSTER	G3YVF	119	6
THE LAMBDAETTE – TRANSFORMERLESS AM QRP 160M TRANSMITTER	IAN LISTON-SMITH	G4JQT	119	19

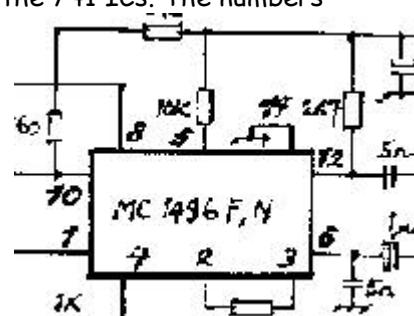
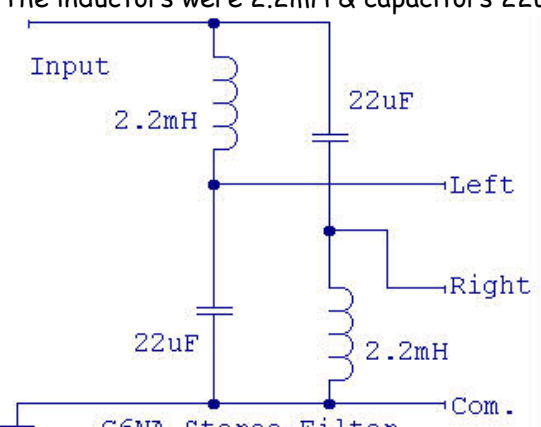
SPRAT Errata Database.

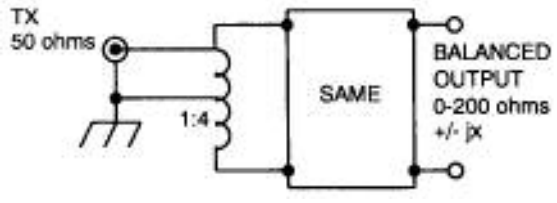
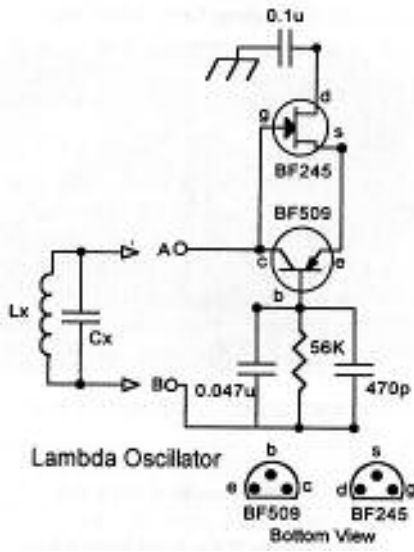
<p>SPRAT 1 (no date on cover)</p> <p>G2FWA product detector:</p>	 <p>D2 was shown the wrong way round. It should look like this:</p>
<p>SPRAT 4 - Autumn 1975</p> <p>W9SCH QRP transmitter circuit, top of page 12.</p>	<p>The emitter resistor should be 1K.</p> <p>G3YUQ DSB1: The legends 160 - 80 on the buffer anode coil & switch should be reversed, i.e to include the 300pF on the 160 position. Mod from G8PG add 0.01uF between aerial connection on PCB and aerial terminal to avoid possible shorts to battery.</p>
<p>SPRAT 11/12 - December 1977</p> <p>G3PLB ATU:</p>	<p>The IN plug is shown shorted to earth, and S1C is wrong. The ANT should go to the moving contact. Contacts 1 & 3 should be connected together, then connected to the aerial end of L1, and contact 2 should be joined to contact 2 on S1B.</p>
<p>SPRAT 20 - Autumn 1979</p> <p>JU-6 circuit (page 5),</p>	<p>The capacitor (0.01uF) at L2A should not be tapped to that coil, but connected between the 12v end (86ohm res.) and earth.</p>
<p>SPRAT 27 - Summer 1981</p> <p>G4DFH 144 - 14Mhz converter</p>	<p>VR2 should be 4.7K. The inductance above L11 is an RFC as RFC 1 to 5.</p> <p>G3ZQA Kite transmitter. The + connection should be made to both outside contacts of the pole connected to the oscillator.</p>
<p>SPRAT 28 - Autumn 1981</p> <p>GM3OXX Transverter.</p>	<p>The transmit mixer may appear to have the G2 of the dual gate Mosfet joined to the source resistor. This should be a "hump" rather than a "dot".</p>

<p>SPRAT 34 - Spring 1983</p> <p>Page 3.</p>	<p>The driver of the transmit circuit (2N3053) shows a ground connection from the top of one section of the 10t bifilar coil. This should be via a decoupling capacitor of 0.1uF</p>
<p>SPRAT 35 - Summer 1983</p> <p>10 MHz transverter (page.7)</p>	<p>Point "B" goes to the 2N3053 input at 0.01uF</p>
<p>SPRAT 35 - Summer 1983</p> <p>Altern Rx circuit</p>	<p>(p.8) Top coupling (say @ 10pF) required between the two sections of the input tuned circuits (across top of the two 22pF capacitors).</p>
<p>SPRAT 38 - Spring 1984</p> <p>GRILO valve transmitter.</p>	<p>We advise readers not to build it in it's current form. There are several errors in the article.</p>
<p>SPRAT 38 - Spring 1984</p> <p>DF45G - Premix VFO.</p>	<p>The author advises that for better operation, another 1N914 and 10k resistor (as shown) should be added to ensure the xtal is off when in 10Mhz mode</p> 
<p>SPRAT 45 - Winter 1985</p> <p>160m Transverter</p>	<p>In the third paragraph, 500uA should read "500mA". In the last paragraph, 100uF should read 1000uF. There were two omissions from the circuit; The cap. coupling the RF amp to the mixer is 1nF, and the fixed cap. across L2 is 180pF.</p>
<p>SPRAT 46 - Spring 1986</p> <p>Fishin' box rig</p>	<p>The resistor between the intermediate buffer and the second buffer is 4.7k Increasing the gate resistor in the Rx detector to 2M improves sensitivity by 6dB Lifting the gate lead off the tap, and onto the hot end of tuned circuit also improves signal strength.</p>
<p>SPRAT 47 - Summer 1986</p> <p>Pocket Rx:</p>	<p>There should be joint at the junction of the 22K res. and the 10nF cap. above the base of the BF115. The emitter of the BC337 is shown the wrong way round, it should go to the top (junc. of 47uF and 220R The tapping for L2 should be about midpoint in the winding.</p>
<p>SPRAT 48 - Autumn 1986</p> <p>Page 17, para 4 reads:</p>	<p>"A 2N3504 or BFY51 gives more drive & power" It should read a "2N3504 gives more drive & power, but a BFY50,51 or 52 can also be used".</p>

<p>SPRAT 48 - Autumn 1986</p> <p>Rock's test box.</p>	<p>The transistor tester section, resistors should be shown as here:-</p> 
<p>SPRAT 49 - Winter 1986</p> <p>G3LDO - Page 14</p>	<p>table 1 should read: a & B=3350/f, C=2370/f, D=700/f, E=1336/f. The table is correct in the original article (SPRAT 30, page 10).</p>
<p>SPRAT 49 - Winter 1986</p> <p>The Tenor Rx: - Page 9</p>	<p>The lower winding of T1 should be centre tapped to earth for D1 and D2 to function.</p>
<p>SPRAT 52 - Autumn 1987</p> <p>Universal Tx circuit:</p>	<p>Link between top of L1 & 12v rail should not be present (it shorts the 220R res.) The PC board is correct.</p>
<p>SPRAT 52 - Autumn 1987</p> <p>GM4JMU Hilltopper:</p>	<p>A better choice of trimmer would be 7-65pF</p>
<p>SPRAT 52 - Autumn 1987</p> <p>G3FCK 80m PA:</p>	<p>A 120pF fixed cap. should be shown between the output and the junc. of the two 100pF capacitors and the coil.</p>
<p>SPRAT 63 - Summer 1990</p> <p>Huff & Puff circuit.</p>	<p>IC2 Pins 2 & 10 should be tied to +5v as for pin 16</p>
<p>SPRAT 66 - Winter 1991</p> <p>IC735 Mods.</p>	<p>Line 11 ... running frequency (not trimming frequency) "Component X" is 22uF, not mF.</p>
<p>SPRAT 69 - Winter 1991</p> <p>FE1MOG Keyer.</p>	<p>Pins 4,7 & 8 on IC2 are shown earthed - it should also show pins 9 & 12 to earth.</p>

<p>SPRAT 69 - Winter 1991</p> <p>G7BCJ Phasing Rx.</p>	<p>The base resistor of the 2N2222 should be 220k and should be connected to +5v, not +12v. Sideband select switch, the top L.H. 10k should be joined to the drain of the top 2N3819, not the source. On A.F. amp add +volts at pin 6, ground pins 2&4 LM386</p>
<p>SPRAT 71 - Summer 1992</p> <p>The NAT Tx.</p>	<p>The power supply to the VN66 devices goes to a centre tap on the coil L1, not L2. Also there is a dot placed on the junction of the gate of the bottom VN66 and the source-ground lead - there is no connection there.</p>
<p>SPRAT 72 - Autumn 1992</p> <p>Hertzverter builders</p>	<p>Note error in pin numbering of NE602.</p>
<p>SPRAT 72 - Autumn 1992</p> <p>Page 21 - Meter Internal Resistance.</p>	<p>Set RVI such that the meter is around full scale on some convenient calibration mark then connect resistors or a variable across the meter until it indicates exactly half the initial setting. There are then equal currents in the meter and the resistance across it as the same voltage is across both the external resistance [R1] and the meter resistance are of the same value.</p>
<p>SPRAT 79 - Summer 1994</p> <p>VK2AW Minicom receiver.</p>	<p>There should be a connection from the 5v rail to pin 4 on the MC3357. The 100R & 0.01uF on the RHS, can be deleted. See also Sprat 81 page 22.</p>
<p>SPRAT 85 - Winter 1995</p> <p>Epiphyte-2</p>	<p>Numerous errors, too long to document here. See SPRAT 88 page 22.</p>
<p>SPRAT 87 - Summer 1996</p> <p>A Spectrum Wavemeter - G4WIF</p>	<p>D3 should be OA91. In the circuit the line between R6/R7, and C5/C6, are not joined. C9 was changed to 270pF (better response) and R11 was removed, but still listed.</p>
<p>SPRAT 90 - Spring 1997</p> <p>G3SEQ 73kHz Tx/Rx:</p>	<p>It has been found that the band pass filters in the TX (& probably Rx) suffer from instability. Fit 10nF - 100nF capacitors to pin 3 of the IC's to cure. Also feedback cap. in the low-pass filter should be reduced from 100nF to 10nF.</p>
<p>SPRAT 93 - Winter 1997</p> <p>G3MFJ "adding CW to the EP2".</p>	<p>There is a 1nF capacitor missing between pin 3 of the 741 and the earth rail.</p>

<p>SPRAT 94 - Spring 1998</p> <p>CORRECTIONS TO THE BANDBREAKER RECEIVER</p>	<p>Figure 3. The VFO - The 100n capacitor shown in the gate of the MPF102 should be omitted (it appears between the 100K resistor and the 1N914 diode on the original drawing).</p> <p>Figure 2 had the pin numbers missing from the MC1496 and the 741 ICs. The numbers are as shown.</p> 
<p>SPRAT 95 - Summer 1998</p> <p>On page 13 G6NA Stereo filter.</p>	<p>the component values were incorrectly shown. The inductors were 2.2mH & capacitors 22uF.</p> 
<p>Sprat 98 Page 5</p> <p>OK2PZL Tx/Rx</p>	<p>There was a section missing from the circuit. This is downloadable from the club website or obtainable as a SPRAT reprint.</p>
<p>SPRAT 104 - Autumn 2000 - page 20</p> <p>Natterbox.</p>	<ol style="list-style-type: none"> 1. The RF PA input stage, there should be a link between the zener diode anode and the 27 ohm resistor leading to the bias adjustment. 2. The T4 requires a link and a 0.1uF is required above T5 3. The PTT changeover switching (page 23), the bottom end base resistor is shown as 3.6Kohm poses no real problems in performance, a 4.7Kohm was used, and is a common value (the range 2K2 to 10K should work).
<p>SPRAT 105 - Page 26.</p>	<p>The wire sizes for the coils were given in cm and not mm. See SPRAT 107 page 29 for further information.</p>

<p>SPRAT 107 - Page 25</p>	<p>Modification by DF1GN. Norbert noticed some problems with oscillation if varying the frequency over 450Hz. The supply current was rising, raising the voltage at R9 (1K) so the voltage at R4/5 decreased. Norbert solved this by changing R9 to a 78L09 regulator.</p>
<p>SPRAT 108 - page 19 L - type ATU SPRAT 108 TX</p>	 <p>Unfortunately, the top left drawing on 50 ohms is wrong. In order to have a balanced output (with reference to the SAME TX ground) the TX coax shall be connected with the screen to the middle of the balun and the centre conductor to one side of the balun. The text is OK. (Jesper, OZ1XB).</p>
<p>SPRAT 109 - page 6 The frequency finder.</p>	<ol style="list-style-type: none"> 1. The frequency finder should be powered from 6 volts regulated supply. 2. Paragraph 6 "wound" should read "sound". 3. Paragraph 7 second last sentence "Inductance is now 253 (freq squared)" should read "Inductance is now 253/(Freq squared)".
<p>SPRAT 109 - page 3 HF Selective micro voltmeter</p>	<p>The author 9A9RA has pointed out an error in the input attenuator. The sections have not been joined in the diagram.</p>
<p>SPRAT 111 - page 4 Lambda Oscillator</p> <p>The error is that the connection "A" should be to the collector of the BF509 rather than the base as shown. Also, more obviously, there should be a chassis symbol on to the bottom line.</p>	 <p>Lambda Oscillator</p> <p>Bottom View</p>

